



**TRINITY GLASS**  
INTERNATIONAL

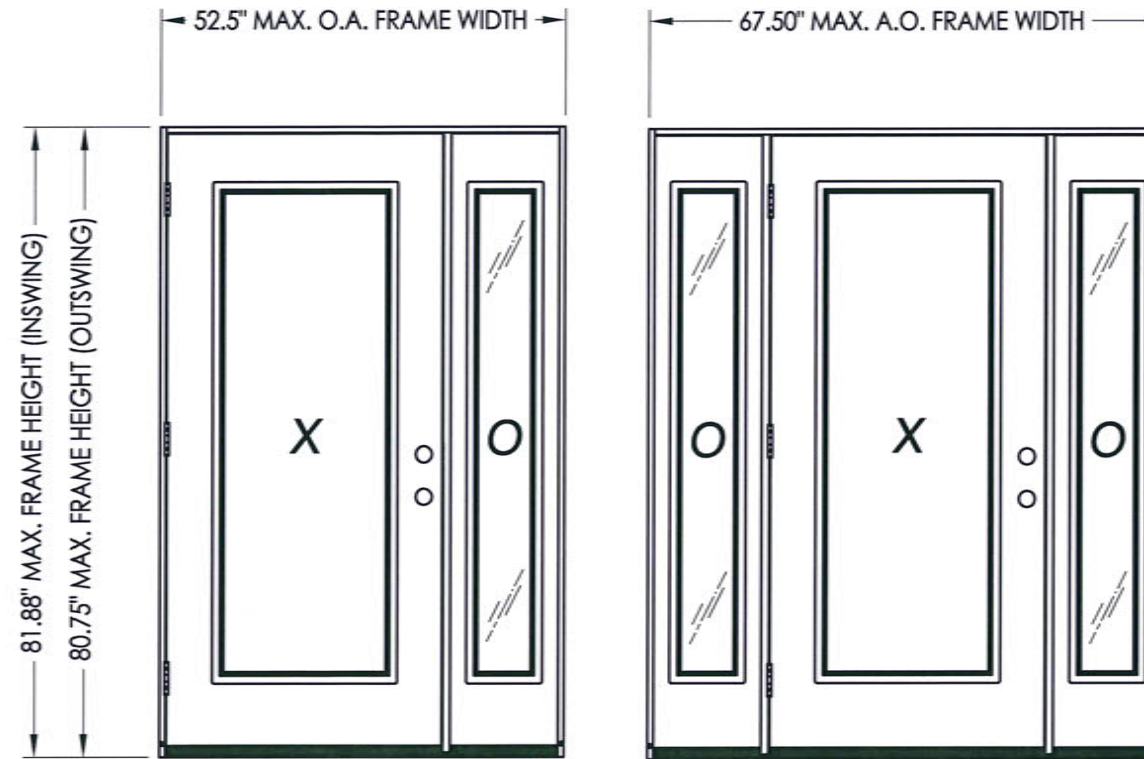
33615 1st Way S Federal Way, WA 98003

# GLAZED FIBERGLASS DOOR with SIDELITE(S) INSWING / OUTSWING "NON-IMPACT"

## GENERAL NOTES

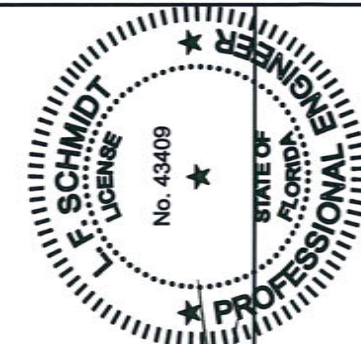
1. This product has been evaluated and is in compliance with the 5th Edition (2014) Florida Building Code (FBC) structural requirements excluding the "High Velocity Hurricane Zone" (HVHZ).
2. Product anchors shall be as listed and spaced as shown on details. Anchor embedment to base material shall be beyond wall dressing or stucco.
3. When used in areas requiring wind borne debris protection this product is required to be protected with an impact resistant covering that complies with Section 1609.1.2 of the FBC.
4. For 2x stud framing construction, anchoring of these units shall be the same as that shown for 2x buck masonry construction.
5. Site conditions that deviate from the details of this drawing require further engineering analysis by a licensed engineer or registered architect.

TABLE OF CONTENTS	
SHEET#	DESCRIPTION
1	Typical elevations, design pressures & general notes
2	Door panel details - flush glazing
3	Door panel details - lip lite glazing
4	Sidelite panel details
5	Sidelite panel details
6	Elevations
7	Horizontal cross sections
8	Vertical cross sections
9	Vertical cross sections
10	Buck anchoring
11	Frame anchoring
12	Components
13	Bill of materials & components



Continuous Head and Sill

CONFIGURATION	MAX. FRAME DIMENSION	JAMB TYPE	DESIGN PRESSURE (PSF) FLUSH GLAZED		DESIGN PRESSURE (PSF) LIP LITE	
			POSITIVE	NEGATIVE	POSITIVE	NEGATIVE
			OX/XO	53.0" x 81.88"	WOOD	+60.0
FIBERGLASS/COMP	+55.0	-55.0			+47.0	-47.0
PVC	+35.0	-35.0			+35.0	-35.0
OXO	68.5" x 81.88"	WOOD	+60.0	-70.0	+47.0	-47.0
		FIBERGLASS/COMP	+55.0	-55.0	+47.0	-47.0
		PVC	+35.0	-35.0	+35.0	-35.0



Documents Prepared By:  
Lyndon F. Schmidt  
P.E. No. 43409

**PROFESSIONAL ENGINEER**  
STATE OF FLORIDA  
No. 43409  
BUILDING CONSULTANTS, INC.  
P.O. Box 230, Valrico, FL 33595  
Phone No.: 813.659.9197  
FBPE C.A. No. 9813

PRODUCT: TRINITY GLASS INT'L  
PART OR ASSEMBLY:  
TYPICAL ELEVATION, DESIGN PRESSURES & GENERAL NOTES

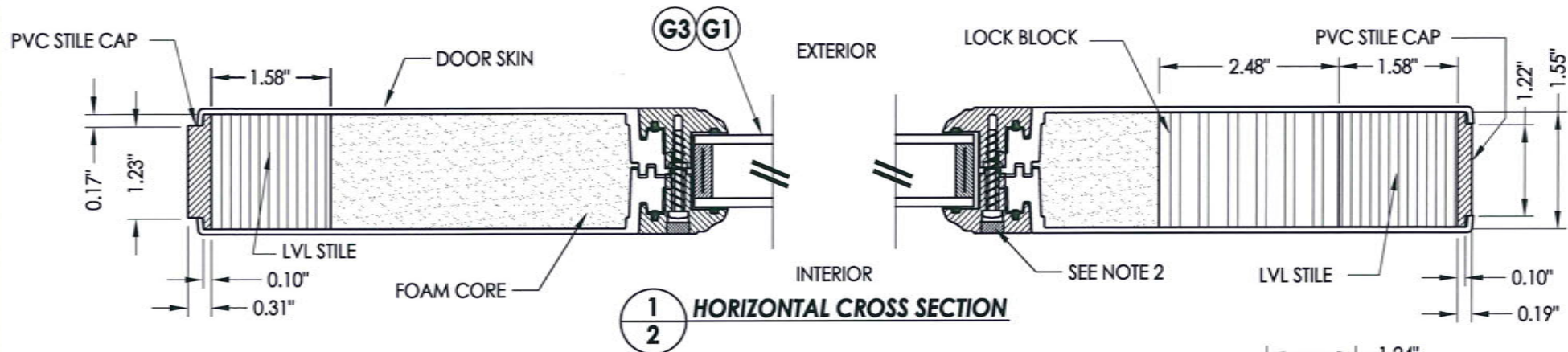
NO.	DATE	REVISIONS
3	03/02/15	UPDATE TO 5TH ED. (2014) FBC
2	12/16/14	ADDED PVC JAMB/LOCK HRDWR
1	3/27/12	ADDED GLAZING DETAIL

DATE: 1/18/12  
SCALE: N.T.S.  
DWG. BY: JK  
CHK. BY: LFS  
DRAWING NO.: FL-15129.6  
SHEET 1 OF 13

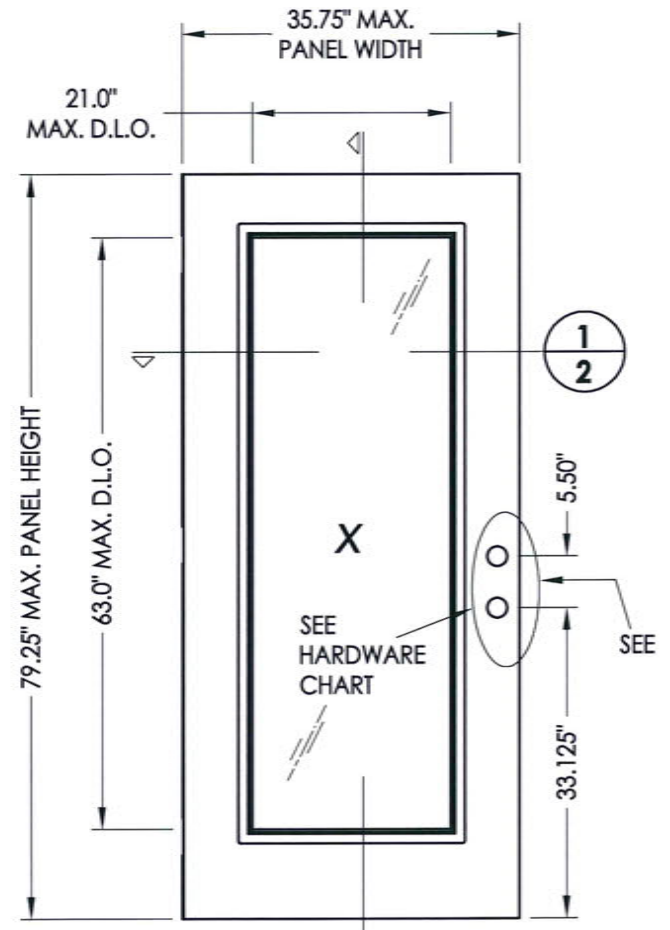
R:\Clients\Trinity PERMANENT\Florida Product Approvals\FL-15129\Drawings\Current\FL-15129.5-8.dwg, FL-15129.6



R:\Clients\Trinity PERMANENT\Florida Product Approvals\FL-15129\Drawings\Current\FL-15129-5-8.dwg, 2.6

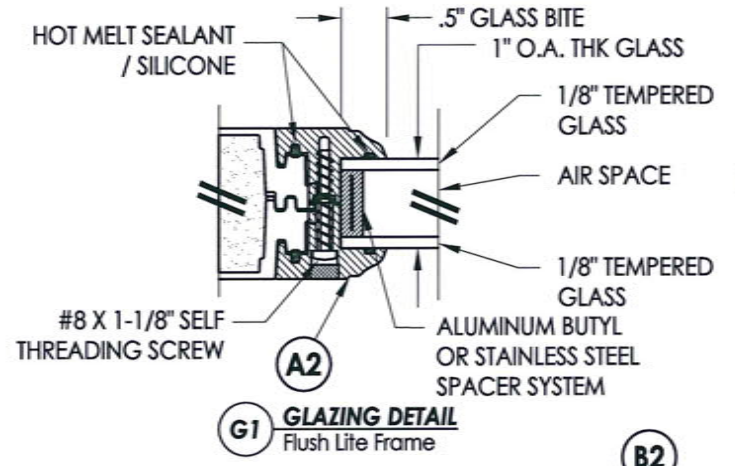


**1**  
**2**  
**HORIZONTAL CROSS SECTION**

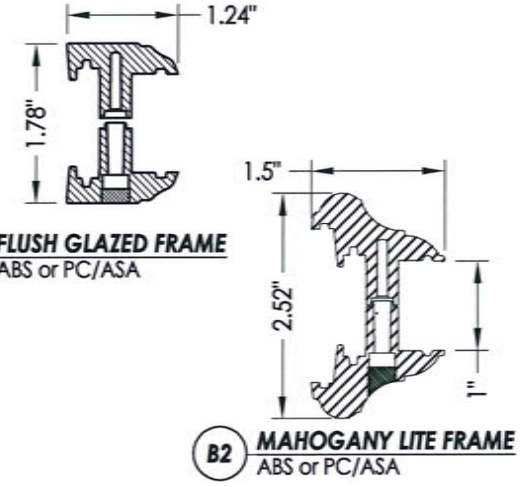


**40**  
**FIBERGLASS DOOR**  
with FLUSH GLAZING

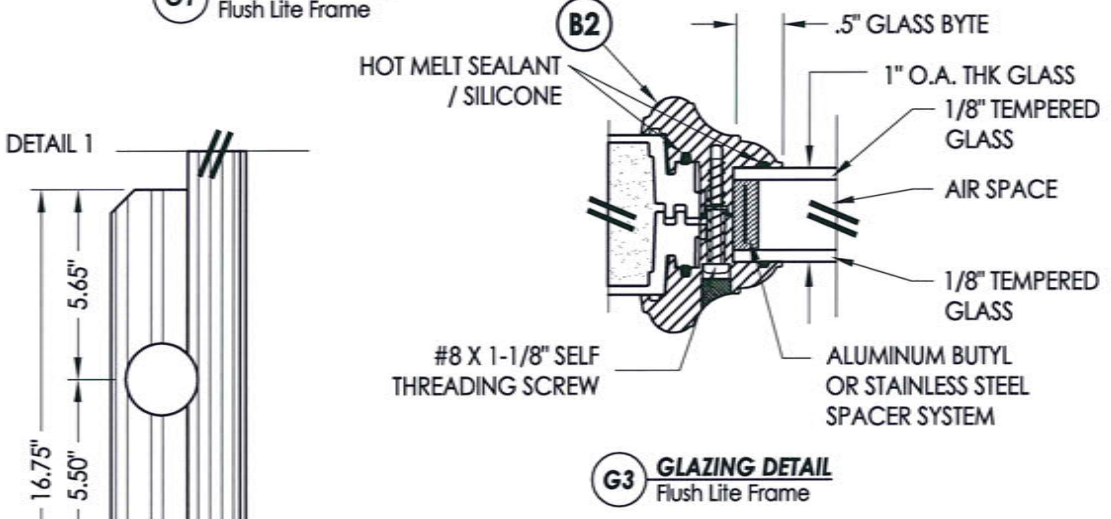
FIBERGLASS DOOR SKIN: MIN. 0.070\"/>



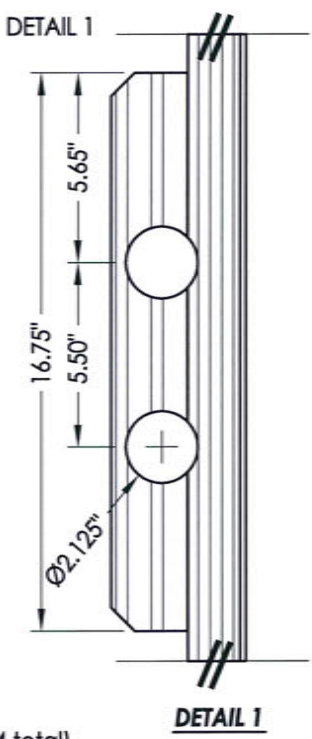
**A2**  
**GLAZING DETAIL**  
Flush Lite Frame



**B2**  
**MAHOGANY LITE FRAME**  
ABS or PC/ASA



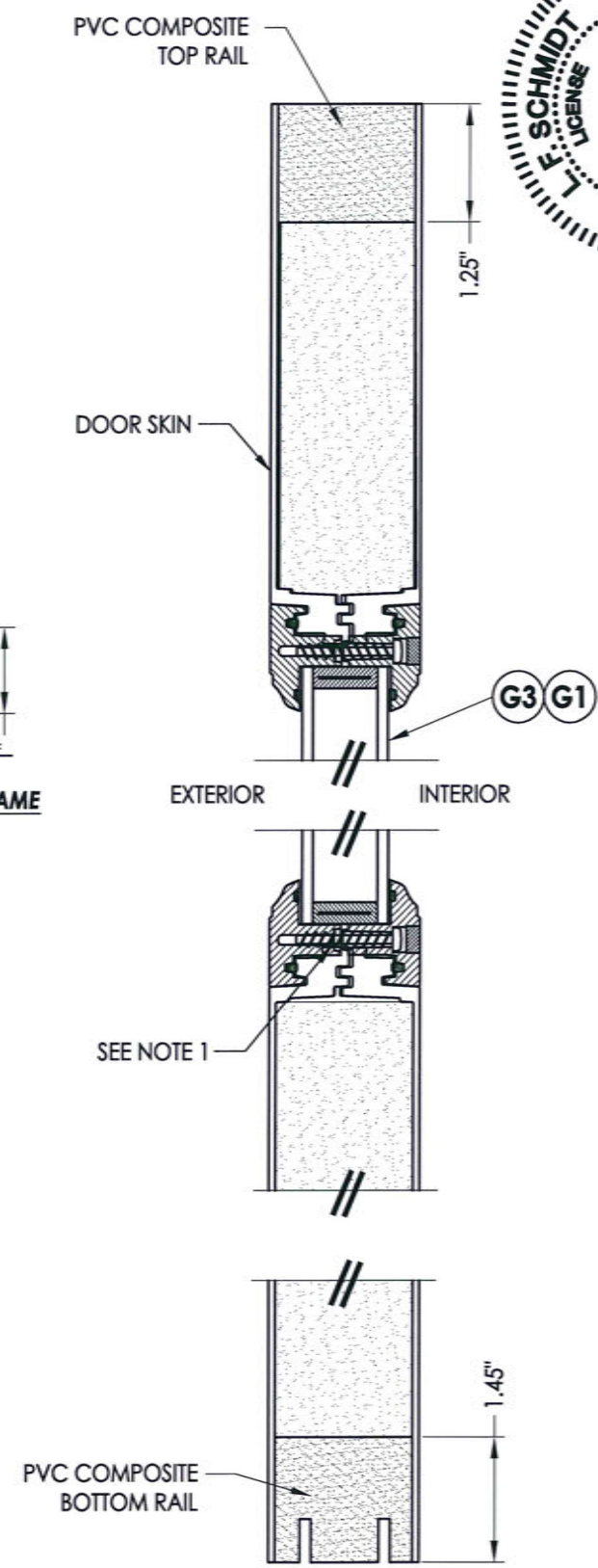
**G3**  
**GLAZING DETAIL**  
Flush Lite Frame



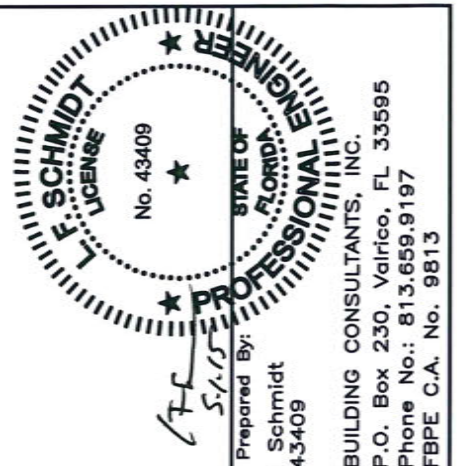
**DETAIL 1**

HARDWARE CHART	
MANUFACTURER	MODEL
KWIKSET	KNOB: SIGNATURE SERIES DEADBOLT: SIGNATURE SERIES (980)
KWIKSET	KNOB & DEADBOLT: SIGNATURE SERIES COMBO PACK (991)
SCHLAGE	KNOB: F SERIES DEADBOLT: B60 SERIES

NOTE:  
1. Spacing for lite frame screw is as follows:  
Top and Bottom: 2-3/4\"/>



**2**  
**2**  
**VERTICAL CROSS SECTION**



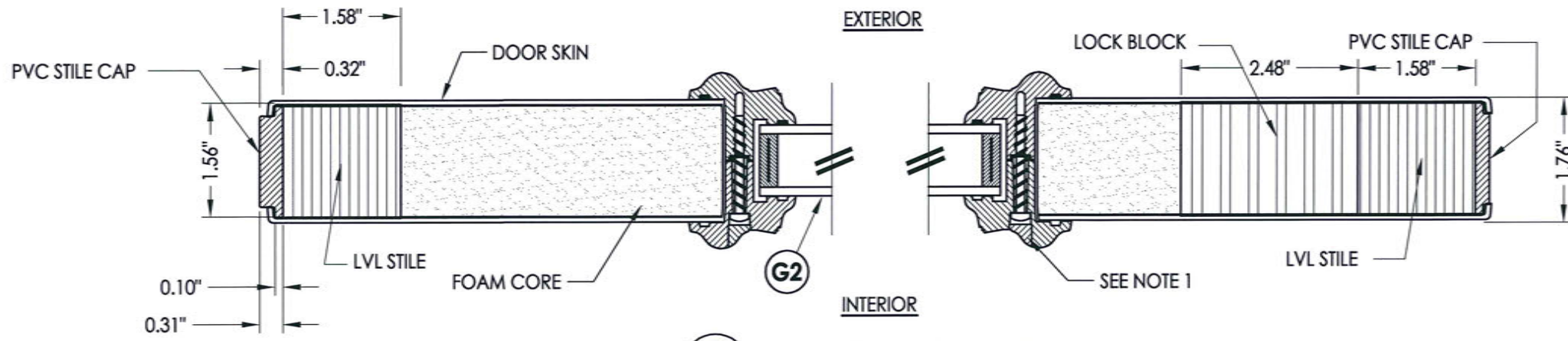
Documents Prepared By:  
Lyndon F. Schmidt  
P.E. No. 43409  
**RW**  
BUILDING CONSULTANTS, INC.  
P.O. Box 230, Valrico, FL 33595  
Phone No.: 813.659.9197  
FBPE C.A. No. 9813

PRODUCT:	TRINITY GLASS INT'L		
PART OR ASSEMBLY:	DOOR PANEL DETAILS FLUSH GLAZING		
DATE	NO.	BY	REVISIONS
3/03/02/15	UPDATE TO 5TH ED. (2014) FBC	JK	
2/12/16/14	ADDED PVC JAMB/LOCK HRDWR	LFS	
1/3/27/12	ADDED GLAZING DETAIL	LFS	
DATE	NO.	BY	REVISIONS
1/18/12			
SCALE:	N.T.S.		
DWG. BY:	JK		
CHK. BY:	LFS		
DRAWING NO.:	FL-15129.6		
SHEET	2	OF	13

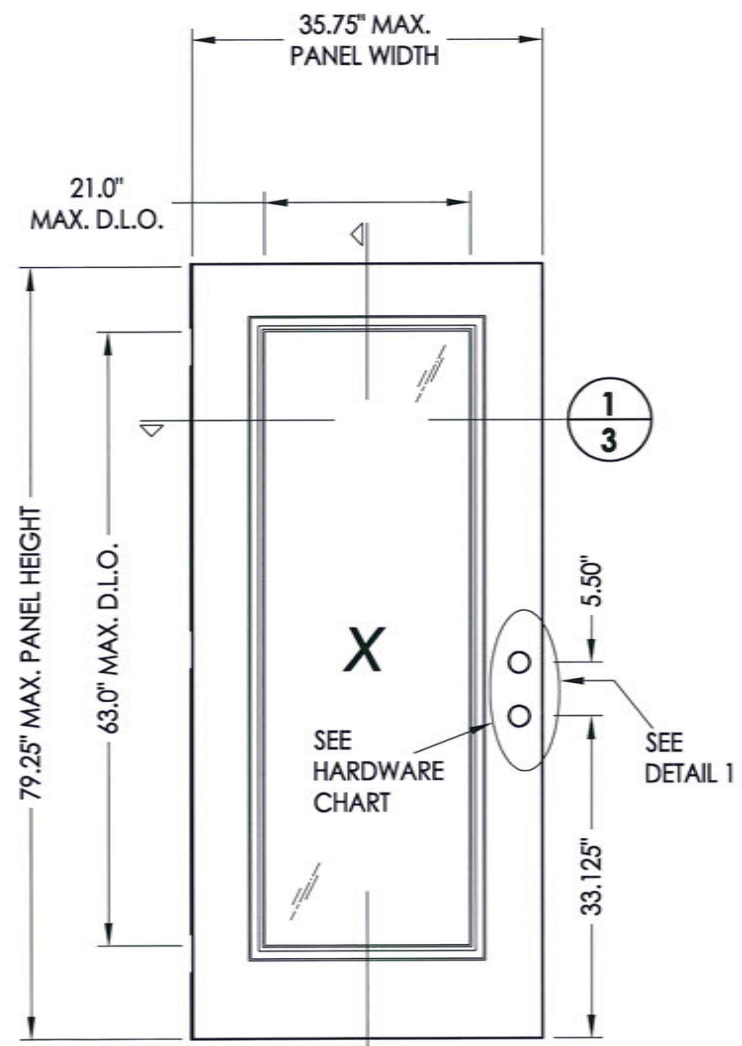
© 2008 R.W. BUILDING CONSULTANTS INC.



R:\Clients\Trinity PERMANENT\Florida Product Approvals\FL-15129\Drawings\Current\FL-15129-5-8.dwg, 3.6

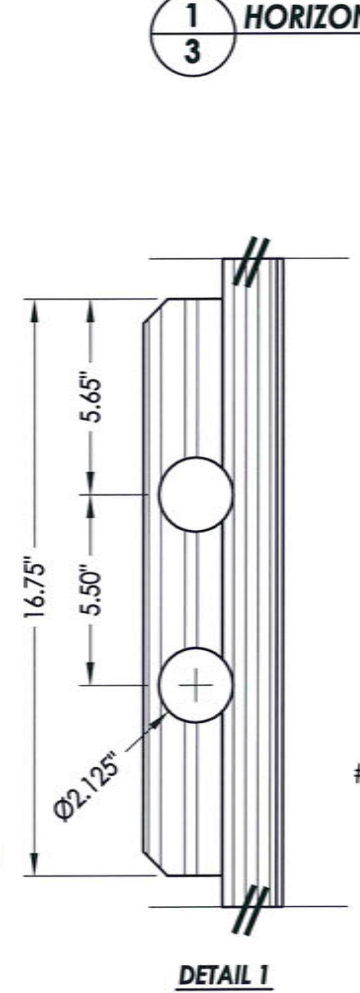


**1**  
**3** HORIZONTAL CROSS SECTION

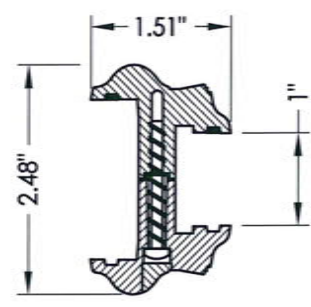


**2**  
**3**  
**40** FIBERGLASS DOOR PANEL with LIP LITE GLAZING

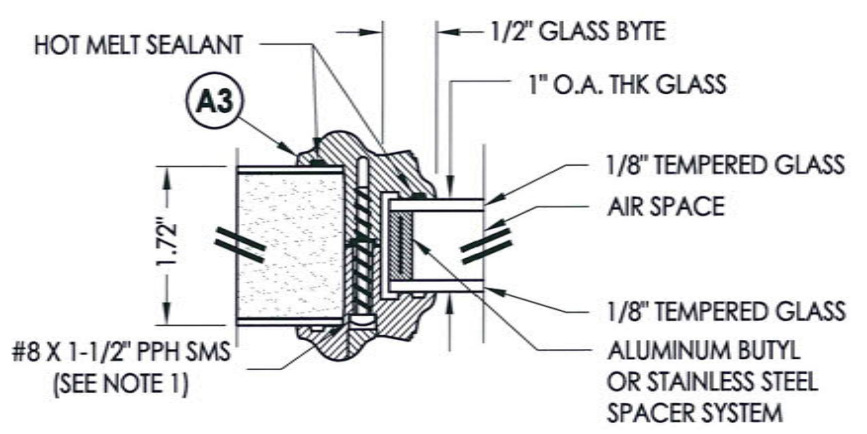
FIBERGLASS DOOR SKIN: MIN. 0.070\"/>



DETAIL 1



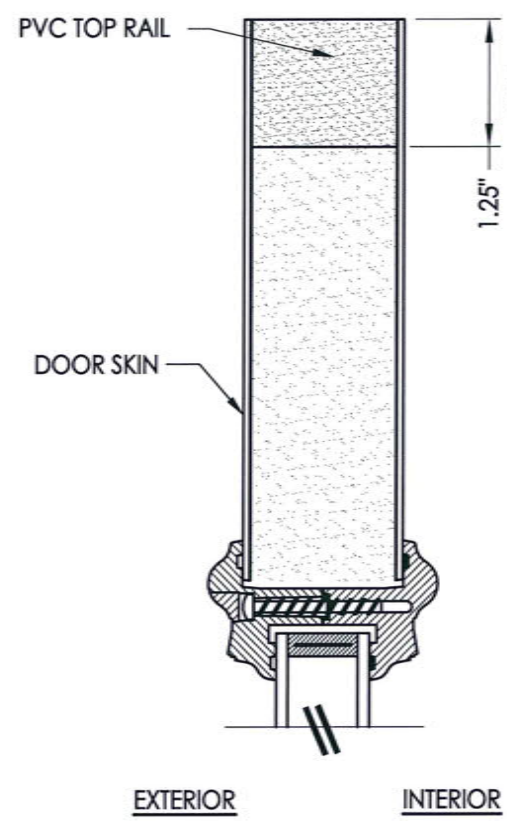
**A3** LIP LITE FRAME  
ABS or PC/ASA



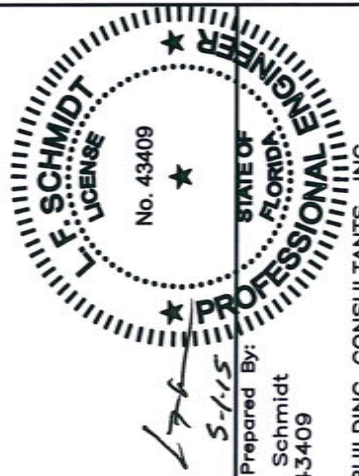
**G2** GLAZING DETAIL  
Lip Lite Frame

HARDWARE CHART	
MANUFACTURER	MODEL
KWIKSET	KNOB: SIGNATURE SERIES
	DEADBOLT: SIGNATURE SERIES (980)
KWIKSET	KNOB & DEADBOLT: SIGNATURE SERIES COMBO PACK (991)
SCHLAGE	KNOB: F SERIES
	DEADBOLT: B60 SERIES

NOTE:  
1. Spacing for lite frame screw is as follows:  
Top and Bottom: 2\"/>



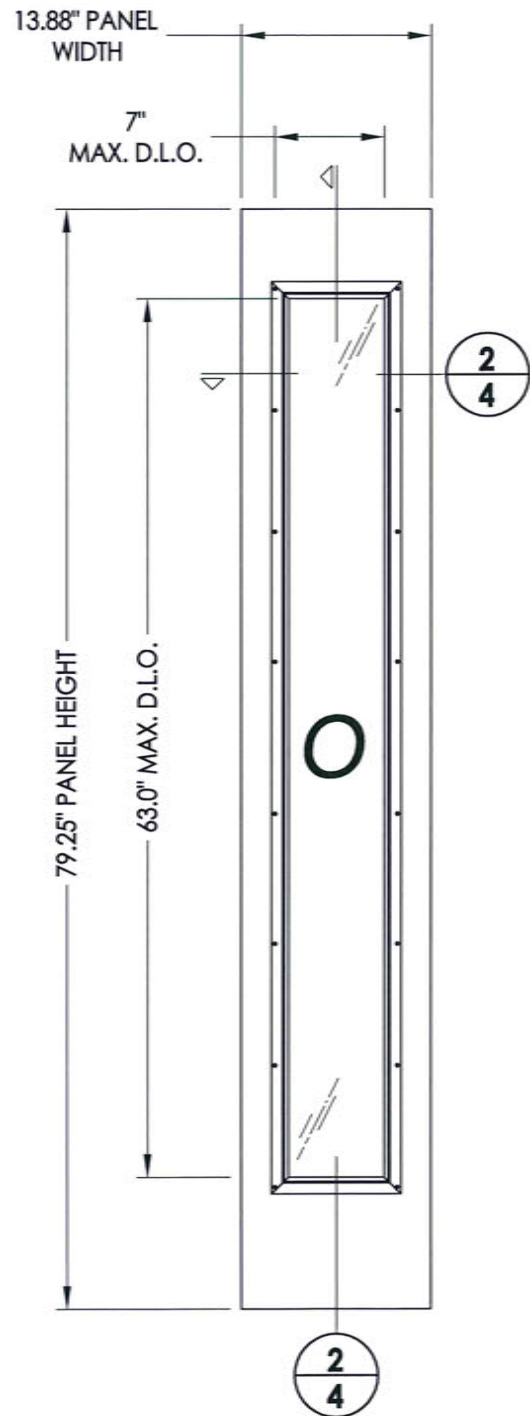
**2**  
**3** VERTICAL CROSS SECTION



Documents Prepared By:  
Lyndon F. Schmidt  
P.E. No. 43409  
R.W.  
BUILDING CONSULTANTS, INC.  
P.O. Box 230, Valrico, FL 33595  
Phone No.: 813.659.9197  
FBPE C.A. No. 9813

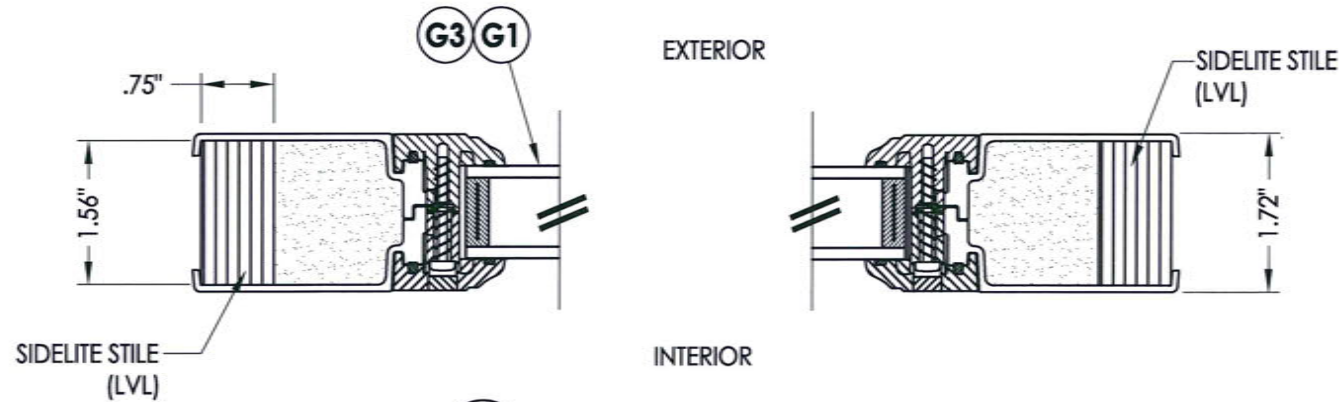
PRODUCT:	TRINITY GLASS INT'L	
PART OR ASSEMBLY:	DOOR PANEL DETAILS LIP LITE GLAZING	
NO.	DATE	BY
3	03/02/15	JK
2	12/16/14	LFS
1	3/27/12	LFS
REVISIONS		
DATE:	1/18/12	
SCALE:	N.T.S.	
DWG. BY:	JK	
CHK. BY:	LFS	
DRAWING NO.:	FL-15129.6	
SHEET	3 OF 13	



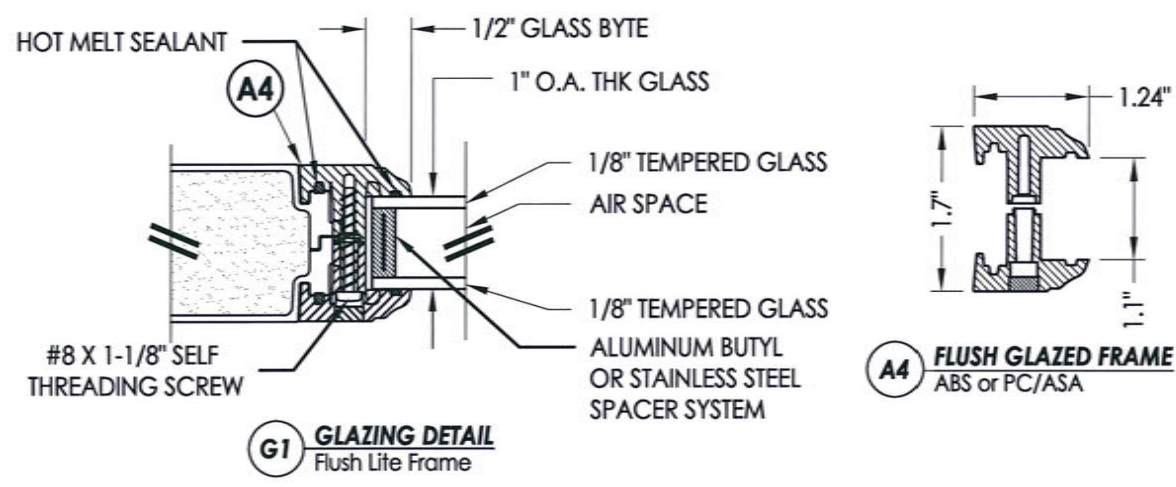


**42 FIBERGLASS SIDELITE**  
"Non-Impact" Flush Lite Frame

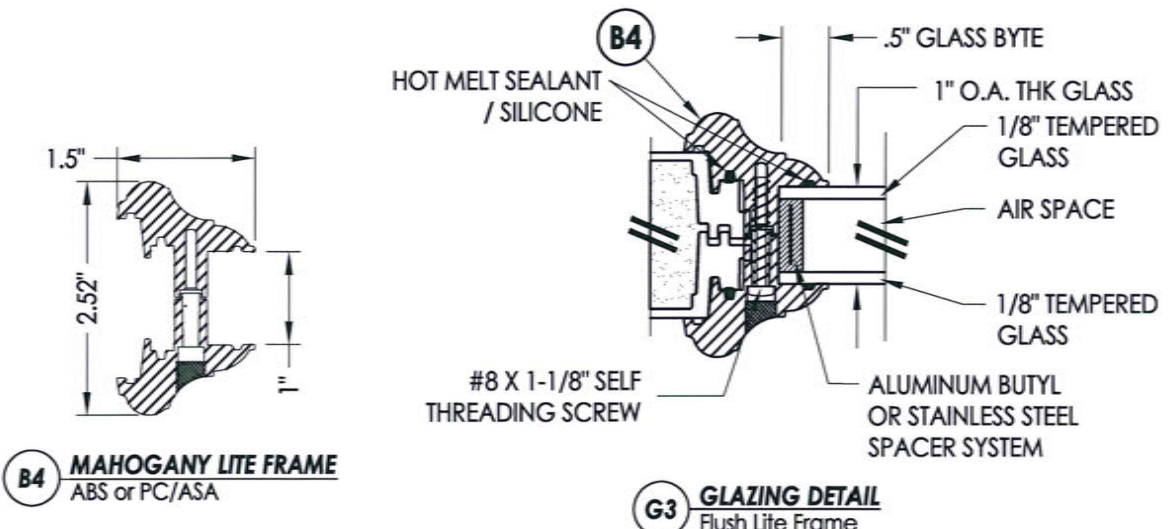
DOOR SKIN: 0.070" MIN. THK. FIBERGLASS  
CORE MATERIAL: POLYURETHANE FOAM



**1 HORIZONTAL CROSS SECTION**



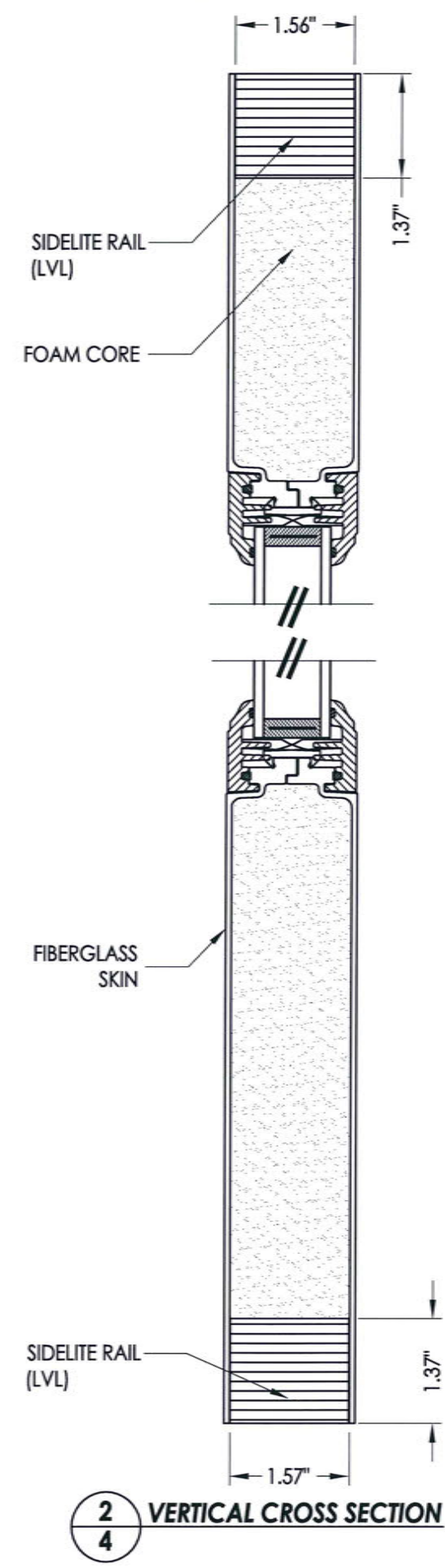
**G1 GLAZING DETAIL**  
Flush Lite Frame



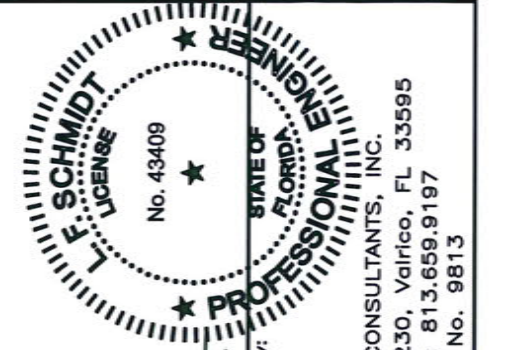
**B4 MAHOGANY LITE FRAME**  
ABS or PC/ASA

**G3 GLAZING DETAIL**  
Flush Lite Frame

NOTE:  
1. Spacing for lite frame screw is as follows:  
Sides: 0.5" from each corner and 9.5" max. spacing thereafter (8 total)



**2 VERTICAL CROSS SECTION**



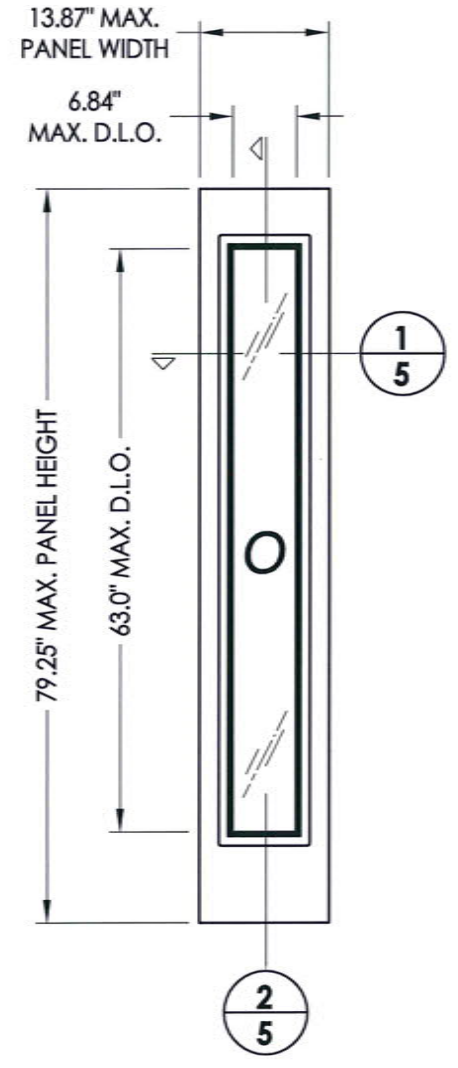
Documents Prepared By:  
Lyndon F. Schmidt  
P.E. No. 43409  
*R.W.*  
BUILDING CONSULTANTS, INC.  
P.O. Box 230, Vairco, FL 33595  
Phone No.: 813.659.9197  
FBPE C.A. No. 9813

PRODUCT:	TRINITY GLASS INT'L
PART OR ASSEMBLY:	SIDELITE PANEL DETAILS
DATE:	1/18/12
SCALE:	N.T.S.
DWG. BY:	JK
CHK. BY:	LFS
DRAWING NO.:	FL-15129.6
SHEET	4 OF 13

NO.	DATE	REVISIONS
3	03/02/15	UPDATE TO 5TH ED. (2014) FBC
2	12/16/14	ADDED PVC JAMB/LOCK HRDWR
1	3/27/12	ADDED GLAZING DETAIL



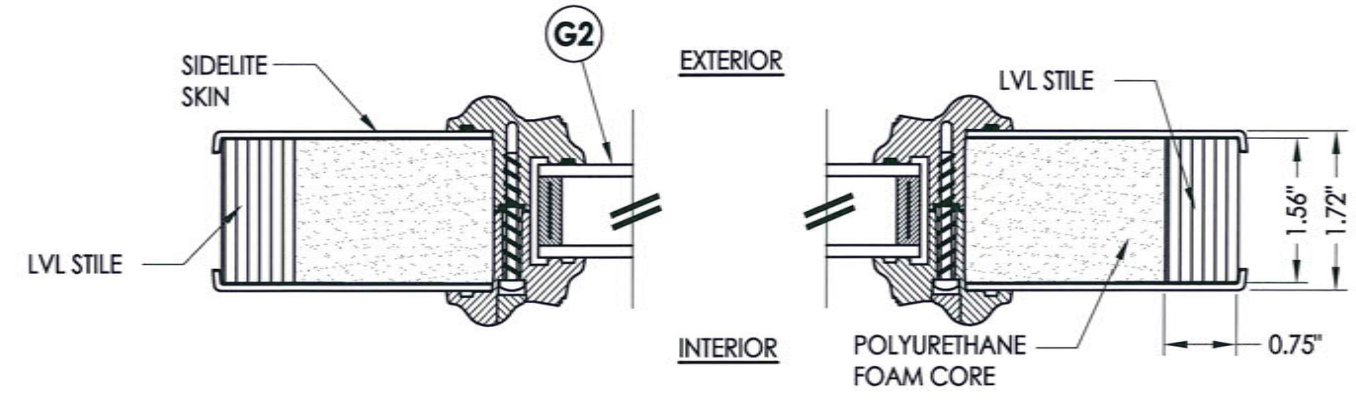
R:\Clients\Trinity Permanent Florida Product Approvals\FL-15129\Drawings\Current\FL-15129.5-8.dwg, 5.6



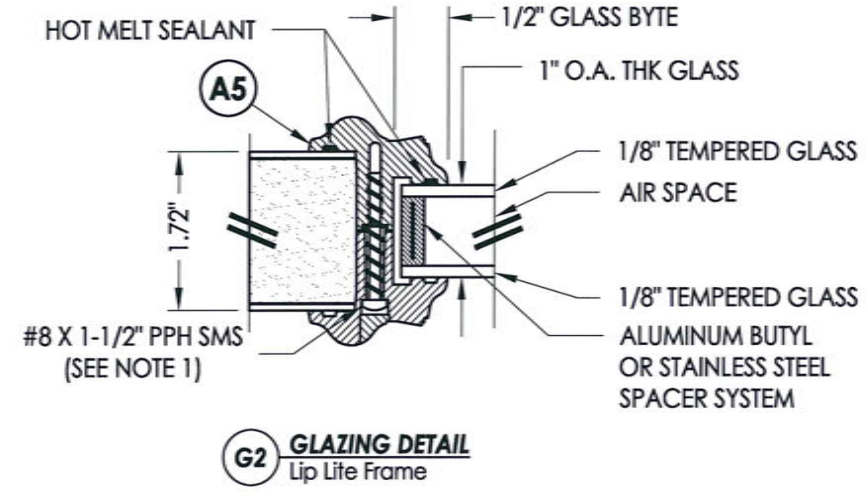
**41 FIBERGLASS SIDELITE**  
"Non-Impact" Lite Frame

DOOR SKIN: 0.070" MIN. THK. FIBERGLASS  
CORE MATERIAL: POLYURETHANE FOAM

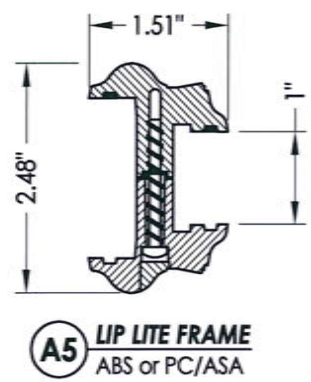
NOTE:  
1. Spacing for lite frame screw is as follows:  
Top and Bottom: 2" from each corner (2 total)  
Sides: 2" from each corner and equally spaced thereafter (8 total)



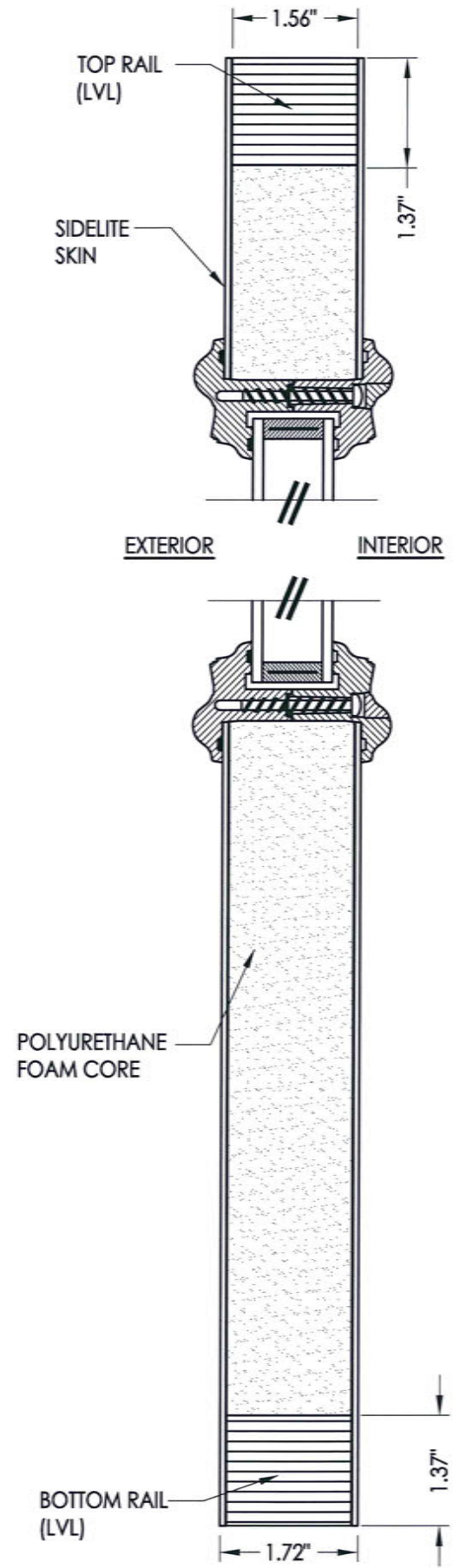
**1 HORIZONTAL CROSS SECTION**



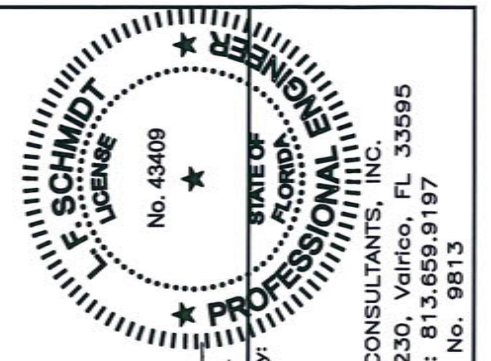
**G2 GLAZING DETAIL**  
Lip Lite Frame



**A5 LIP LITE FRAME**  
ABS or PC/ASA



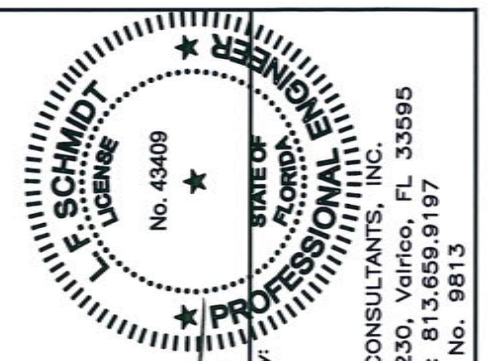
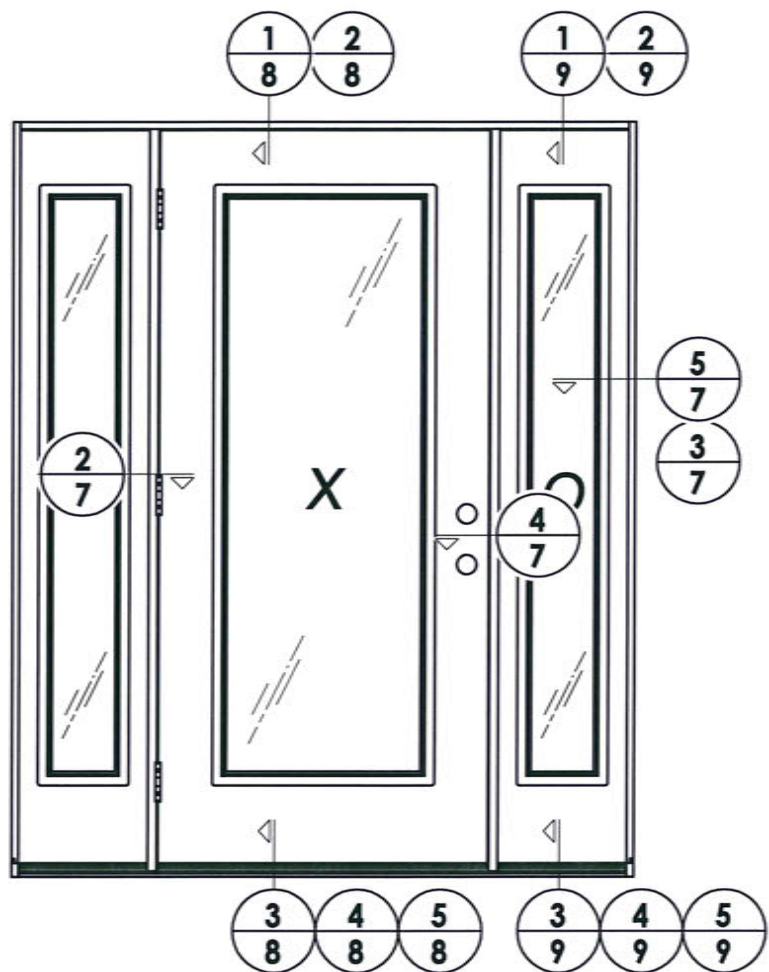
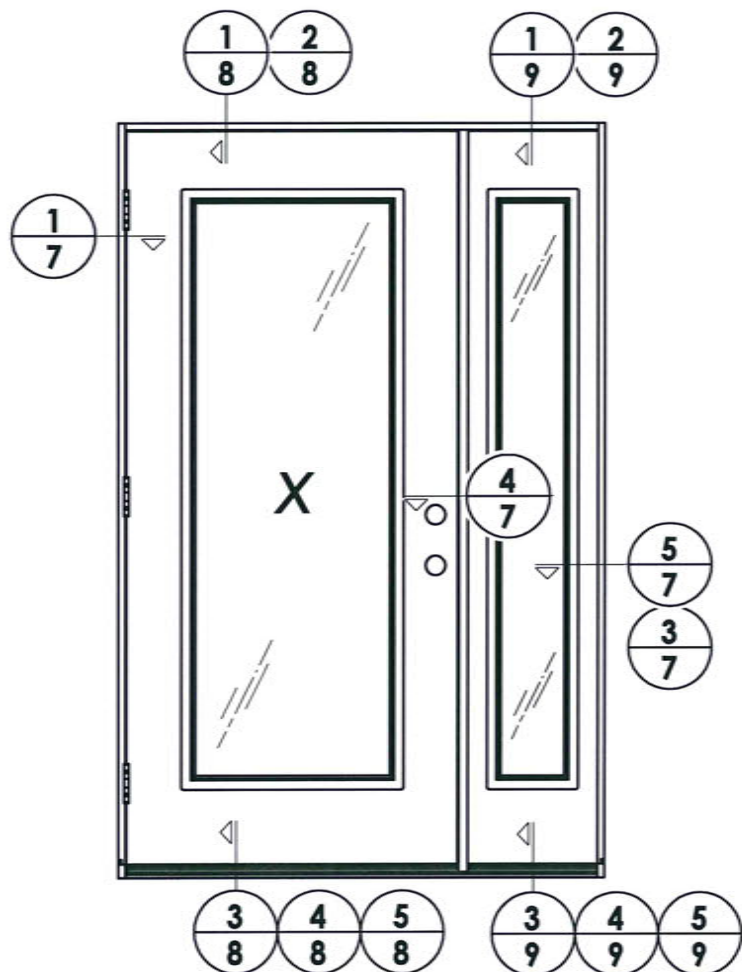
**2 VERTICAL CROSS SECTION**



Documents Prepared By:  
Lyndon F. Schmidt  
P.E. No. 43409

**RW** BUILDING CONSULTANTS, INC.  
P.O. Box 230, Vairico, FL 33595  
Phone No.: 813.659.9197  
FBPE C.A. No. 9813

PRODUCT: TRINITY GLASS INT'L	
PART OR ASSEMBLY: SIDELITE PANEL DETAILS	
NO.	DATE
3	03/02/15
2	12/16/14
1	3/27/12
NO.	DATE
3	03/02/15
2	12/16/14
1	3/27/12
DATE	1/18/12
SCALE	N.T.S.
DWG. BY	JK
CHK. BY	LFS
DRAWING NO.	FL-15129.6
SHEET	5 OF 13

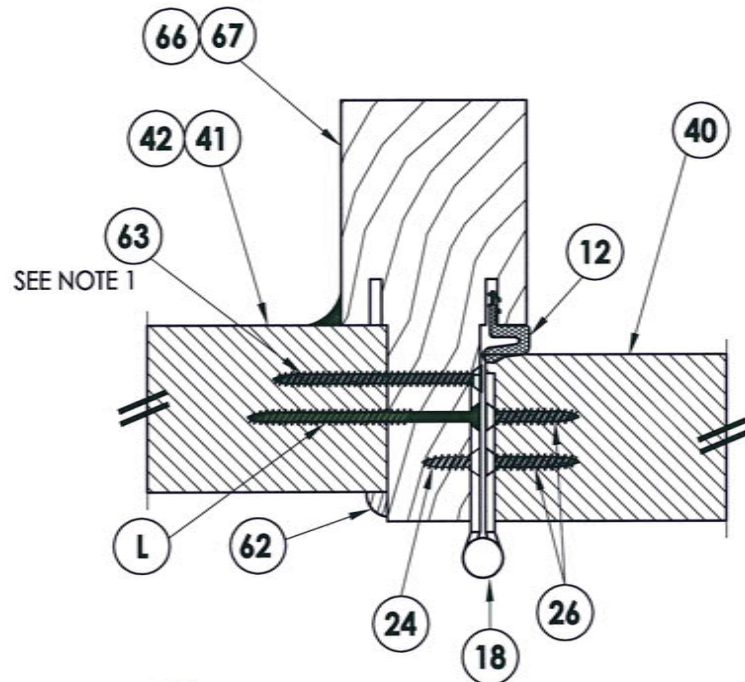


Documents Prepared By:  
 Lyndon F. Schmidt  
 P.E. No. 43409

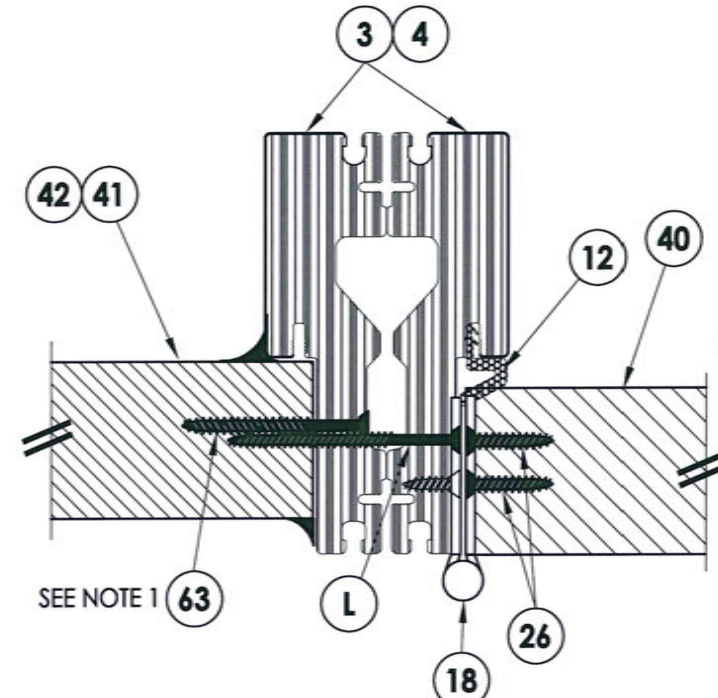
*RW* BUILDING CONSULTANTS, INC.  
 P.O. Box 230, Vairico, FL 33595  
 Phone No.: 813.659.9197  
 FBPE C.A. No. 9813

PRODUCT: TRINITY GLASS INT'L	
PART OR ASSEMBLY: ELEVATIONS	
JK	REVISIONS
LFS	
BY	
NO.	DATE
3	03/02/15
2	12/16/14
1	3/27/12
DATE: 1/18/12	
SCALE: N.T.S.	
DWG. BY: JK	
CHK. BY: LFS	
DRAWING NO.: FL-15129.6	
SHEET 6 OF 13	

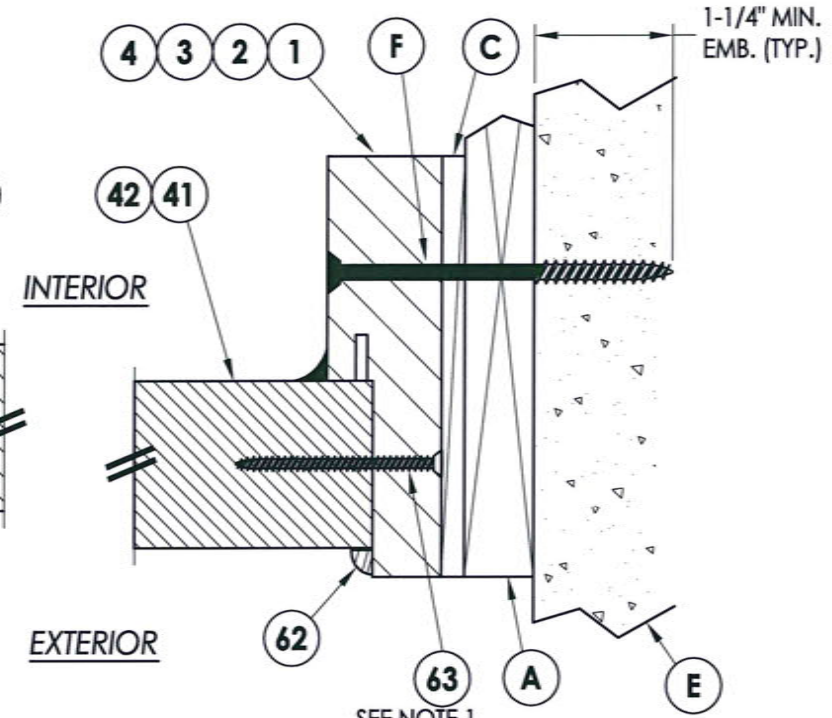




**2 HORIZONTAL CROSS SECTION**  
**7** Outswing shown - Inswing also approved  
 Shown w/ wood mullion (PVC mullion also approved)

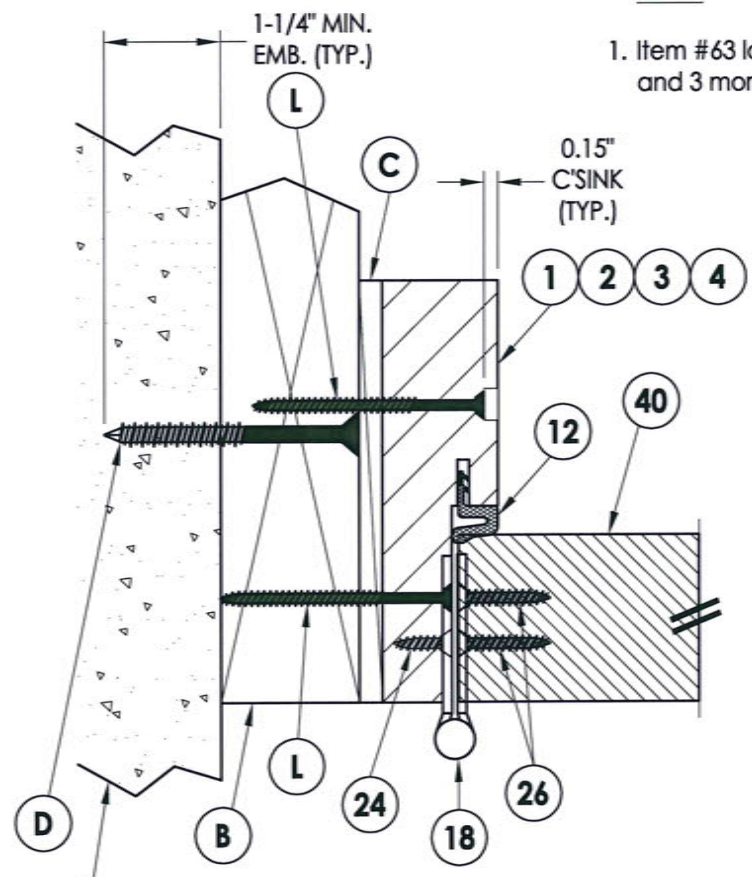


**6 HORIZONTAL CROSS SECTION**  
**7** Outswing shown - Inswing also approved  
 Shown w/ PVC jamba

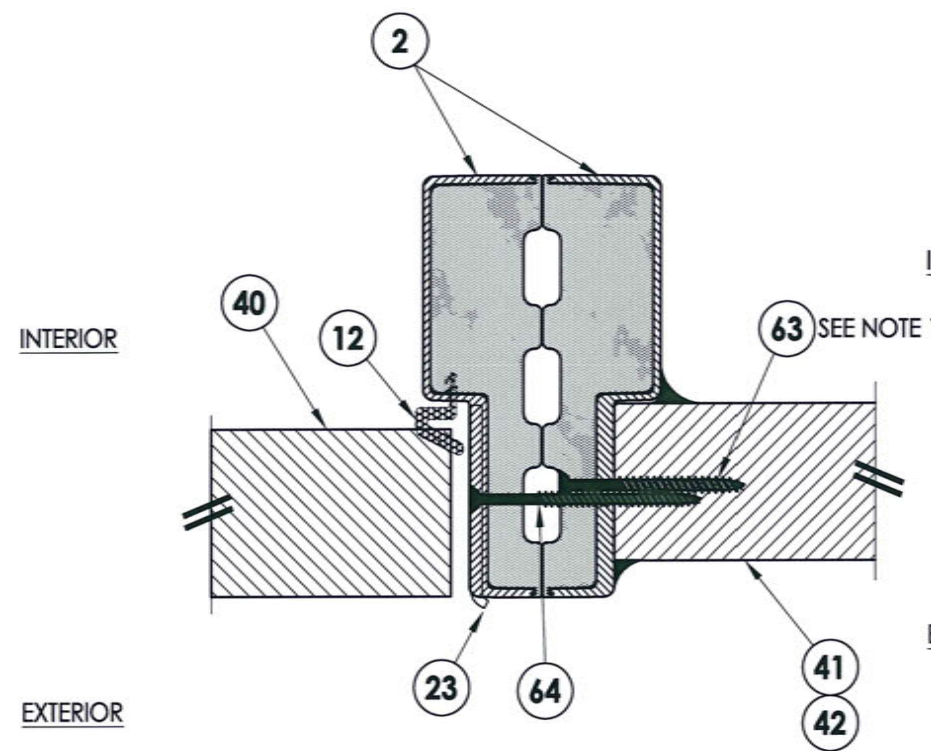


**3 HORIZONTAL CROSS SECTION**  
**7** Shown w/ 1X sub-buck

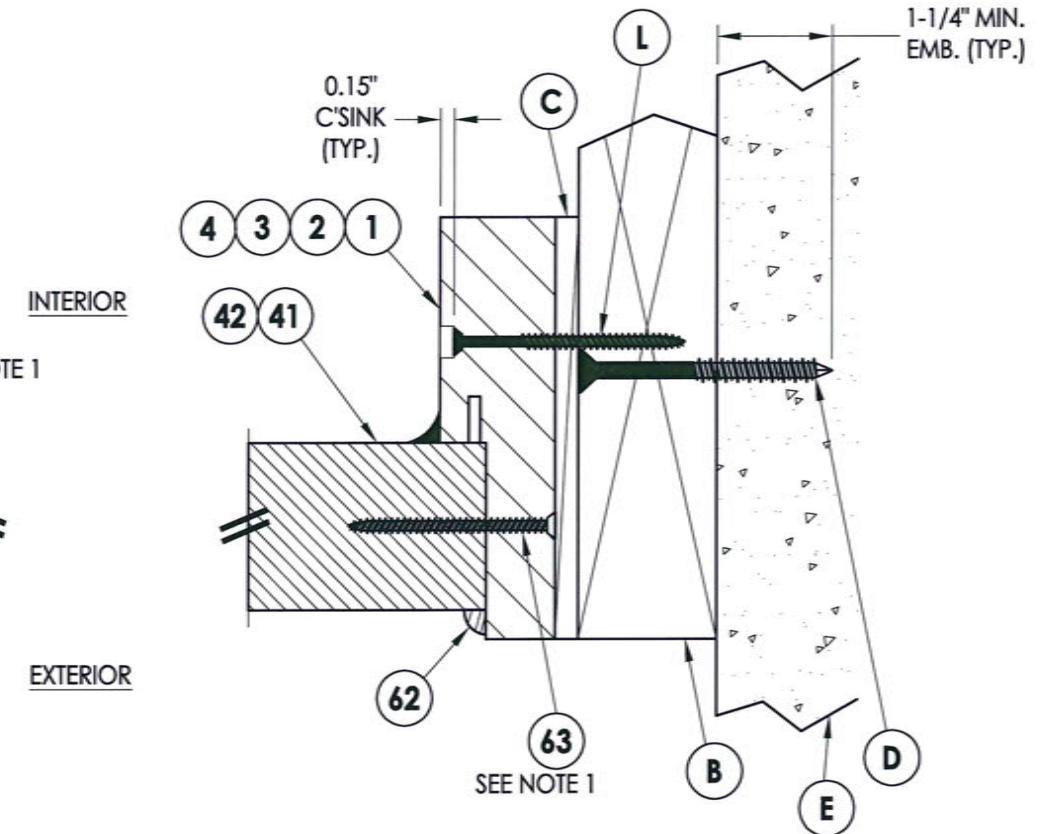
NOTE:  
 1. Item #63 located 6" from each end and 3 more equally spaced (5 total).



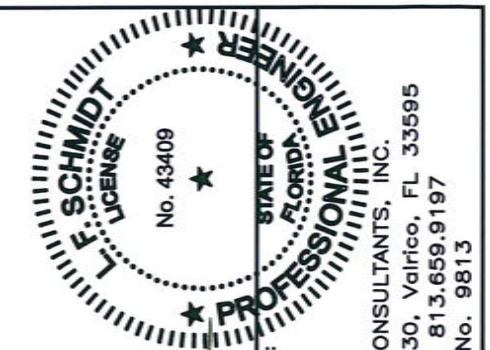
**1 HORIZONTAL CROSS SECTION**  
**7** Outswing shown - Inswing also approved



**4 HORIZONTAL CROSS SECTION**  
**7** Outswing shown - Inswing also approved  
 Shown w/ Fiberglass/Comp. jamba



**5 HORIZONTAL CROSS SECTION**  
**7** Outswing shown - Inswing also approved



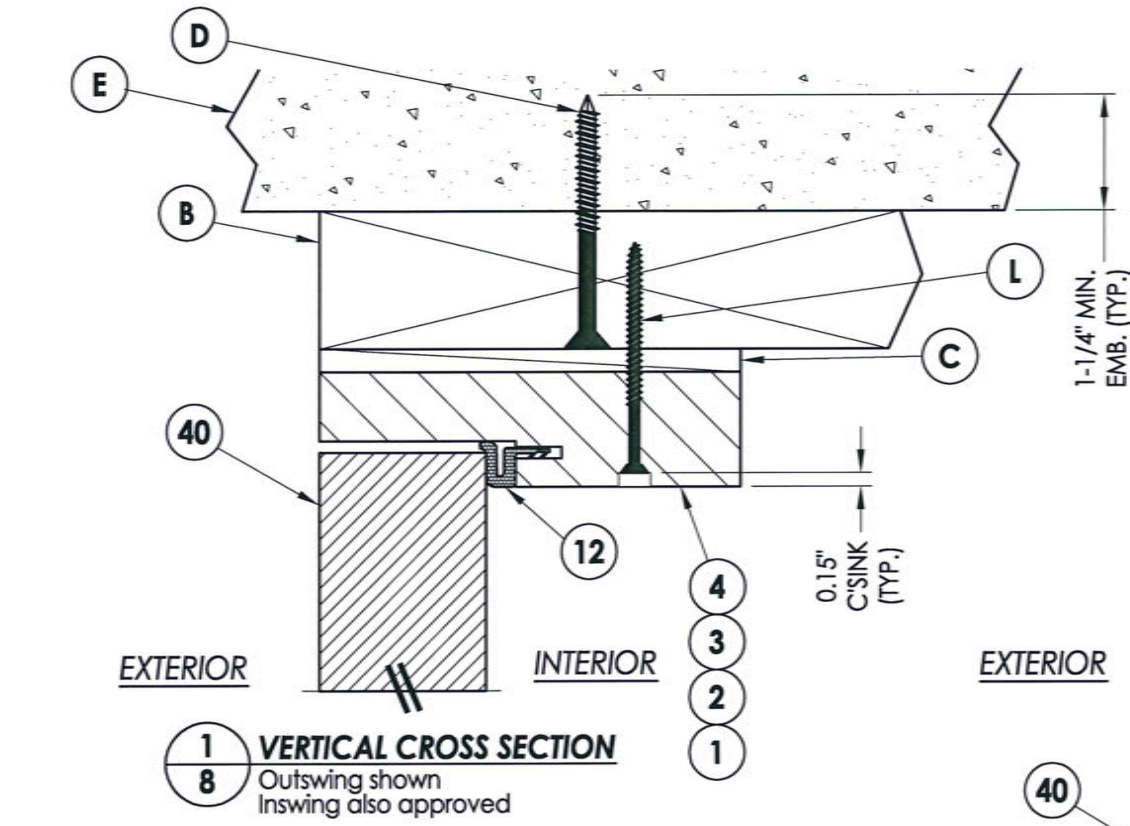
Documents Prepared By:  
 Lyndon F. Schmidt  
 P.E. No. 43409  
 RW BUILDING CONSULTANTS, INC.  
 P.O. Box 230, Valrico, FL 33595  
 Phone No.: 813.659.9197  
 FBPE C.A. No. 9813

PRODUCT: TRINITY GLASS INT'L  
 PART OR ASSEMBLY: HORIZONTAL CROSS SECTIONS

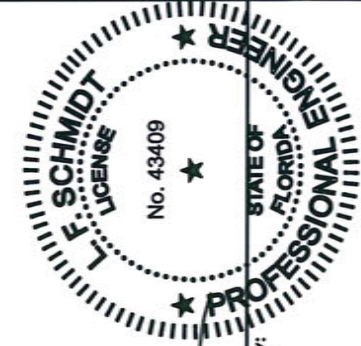
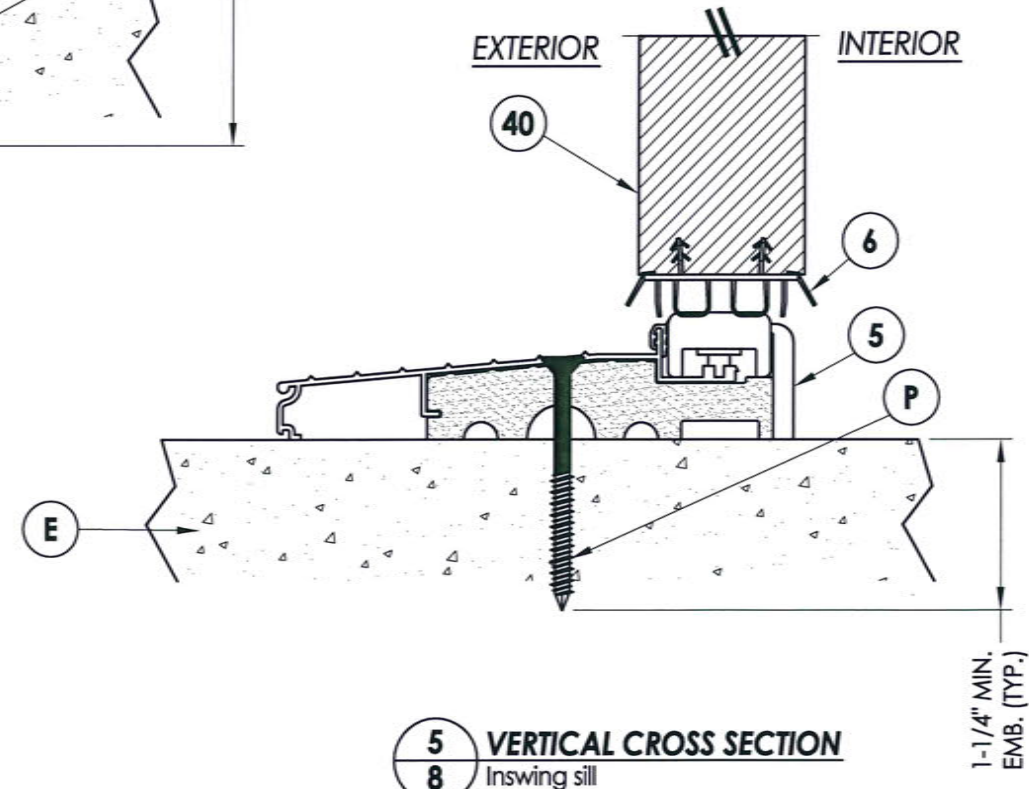
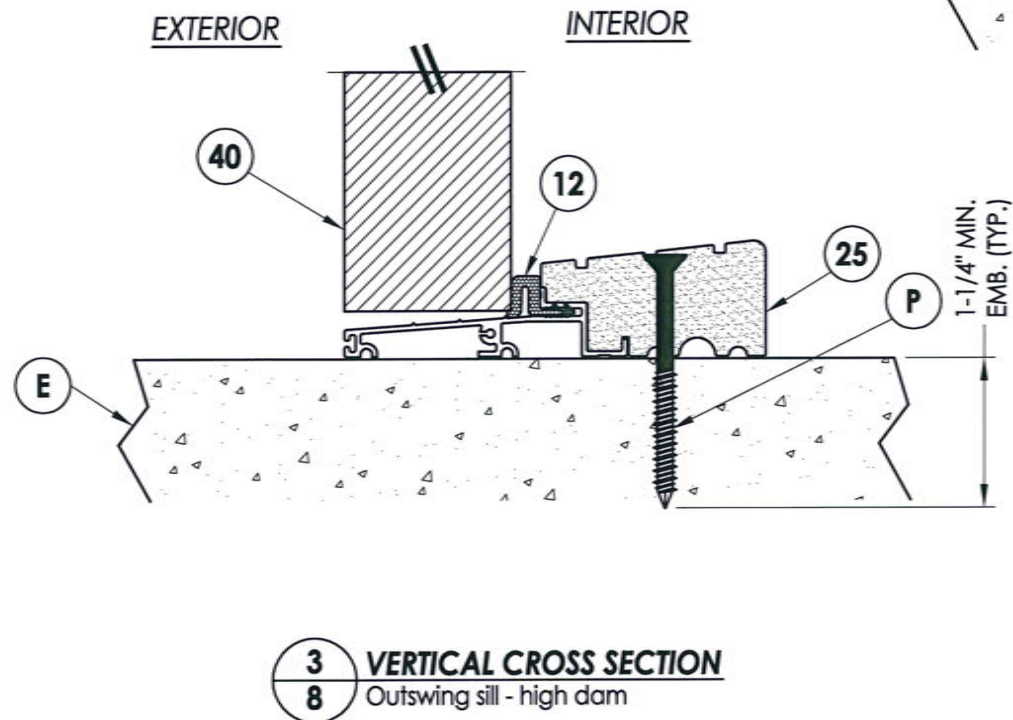
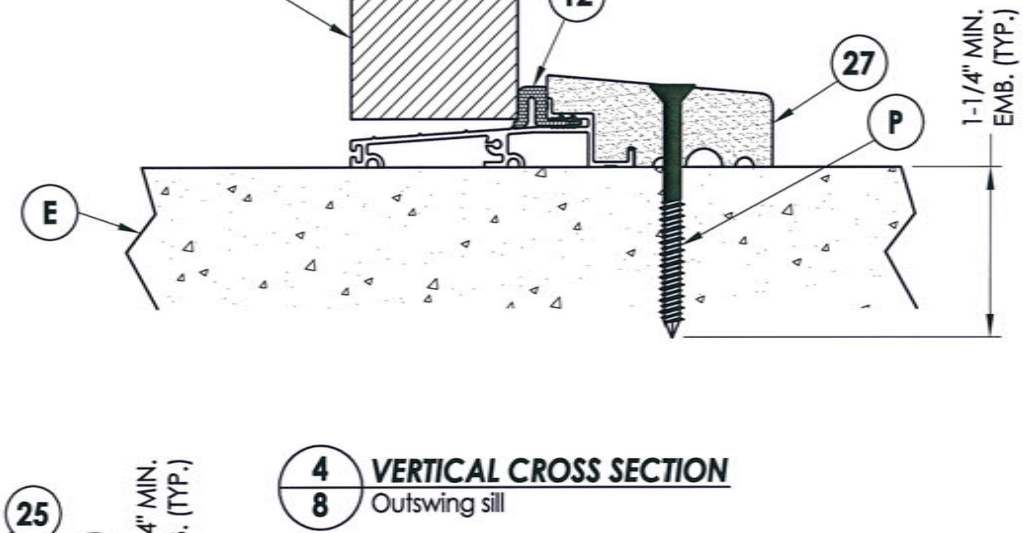
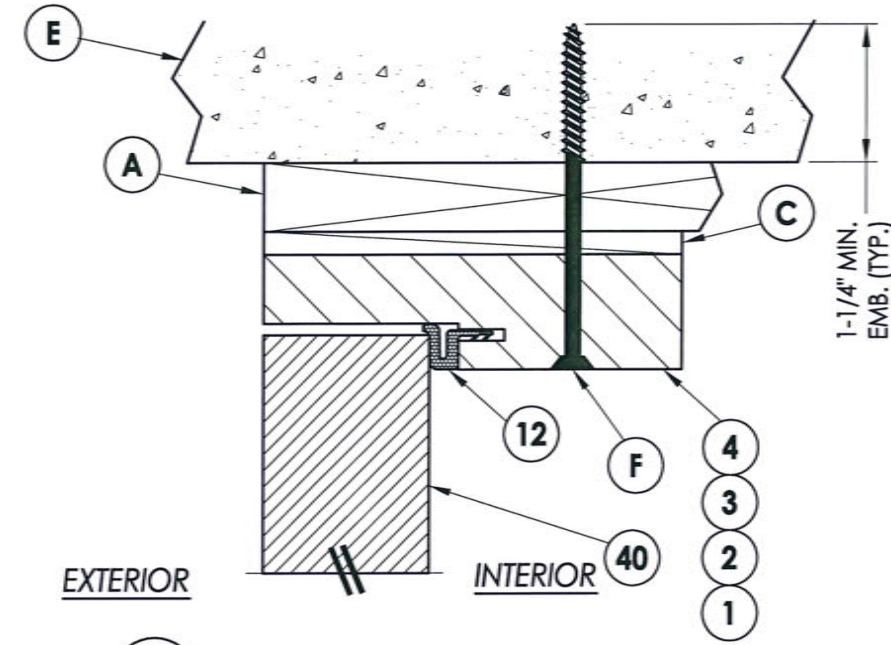
NO.	DATE	REVISIONS
3	03/02/15	UPDATE TO 5TH ED. (2014) FBC
2	12/16/14	ADDED PVC JAMB/LOCK HRDWR
1	3/27/12	ADDED GLAZING DETAIL

DATE: 1/18/12  
 SCALE: N.T.S.  
 DWG. BY: JK  
 CHK. BY: LFS  
 DRAWING NO.: FL-15129.6  
 SHEET 7 OF 13





**2**  
**8** **VERTICAL CROSS SECTION**  
Shown w/1X sub-buck



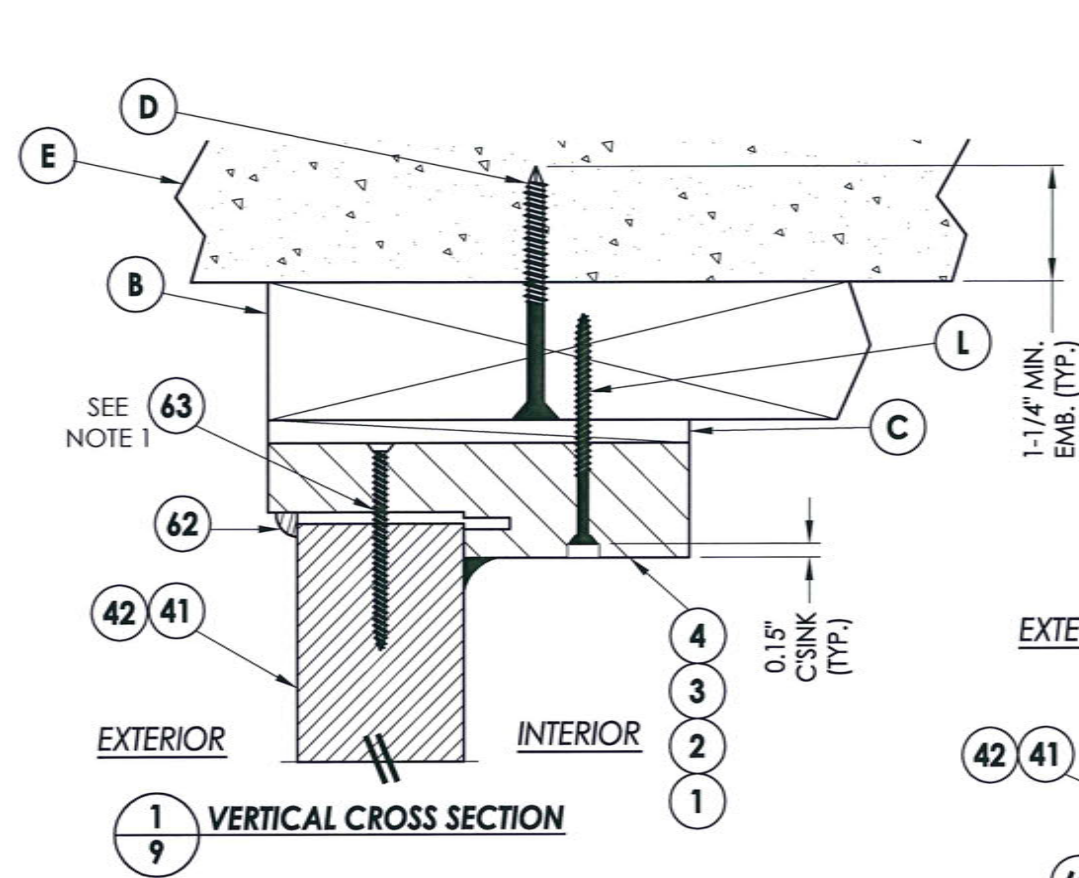
Documents Prepared By:  
Lyndon F. Schmidt  
P.E. No. 43409

**R.W.** BUILDING CONSULTANTS, INC.  
P.O. Box 230, Valrico, FL 33595  
Phone No.: 813.659.9197  
FBPE C.A. No. 9813

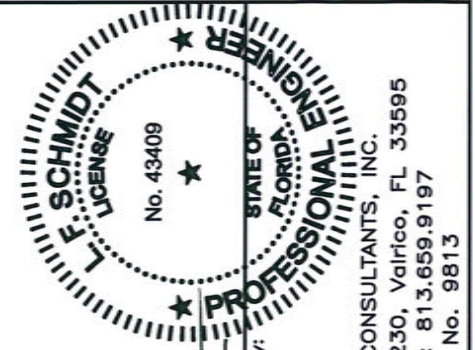
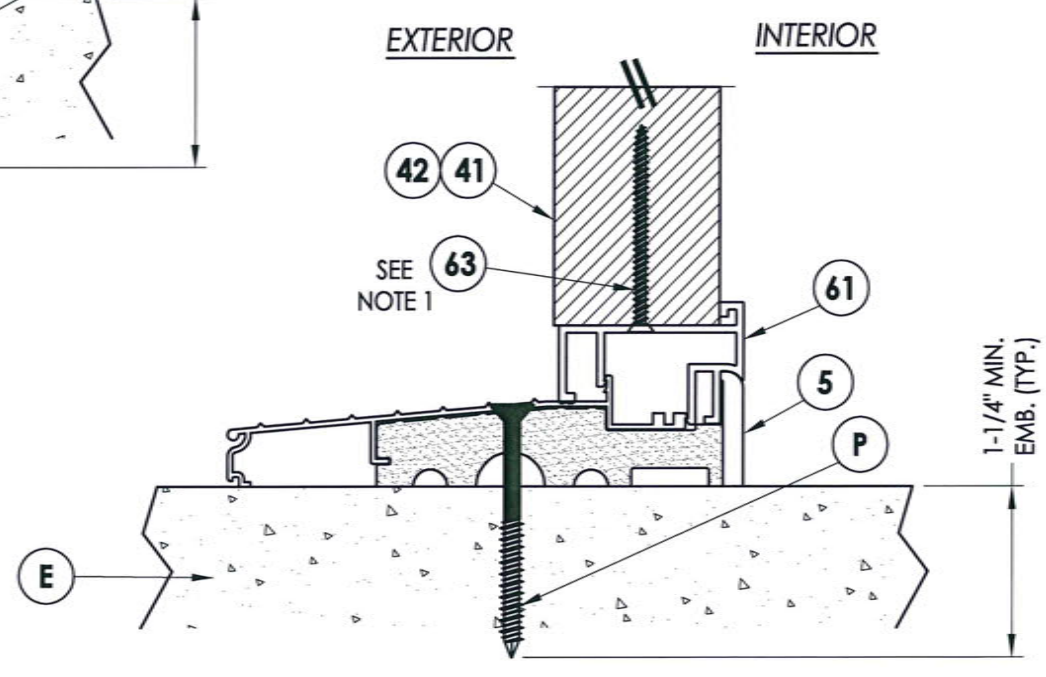
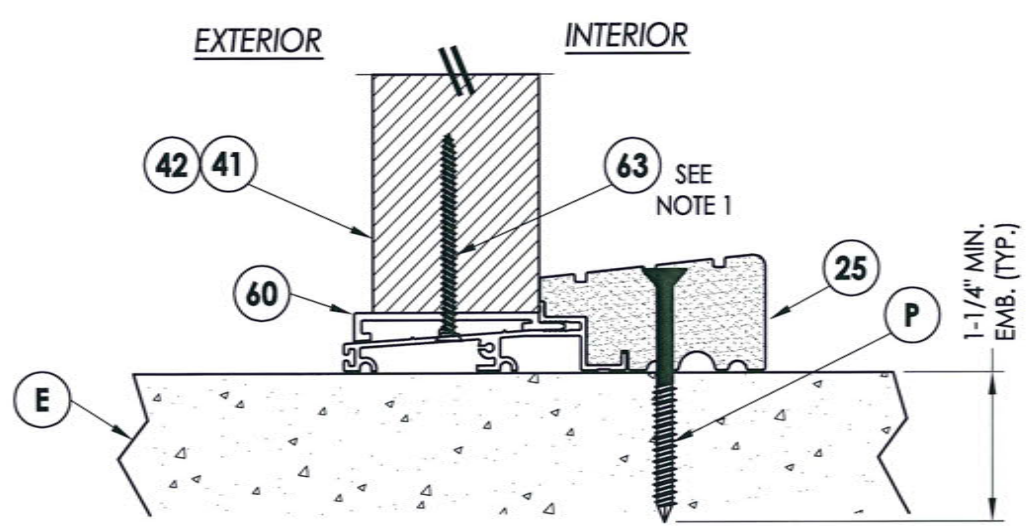
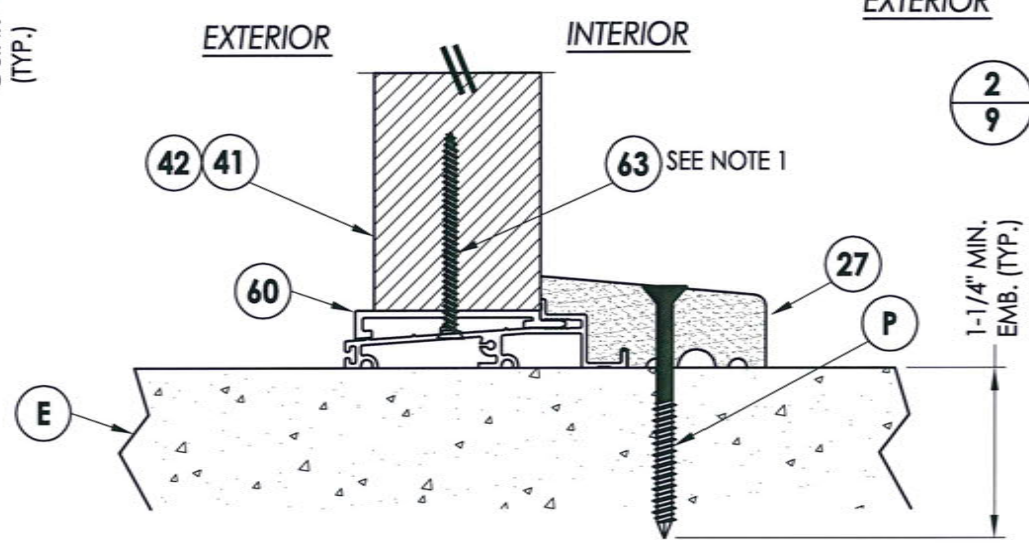
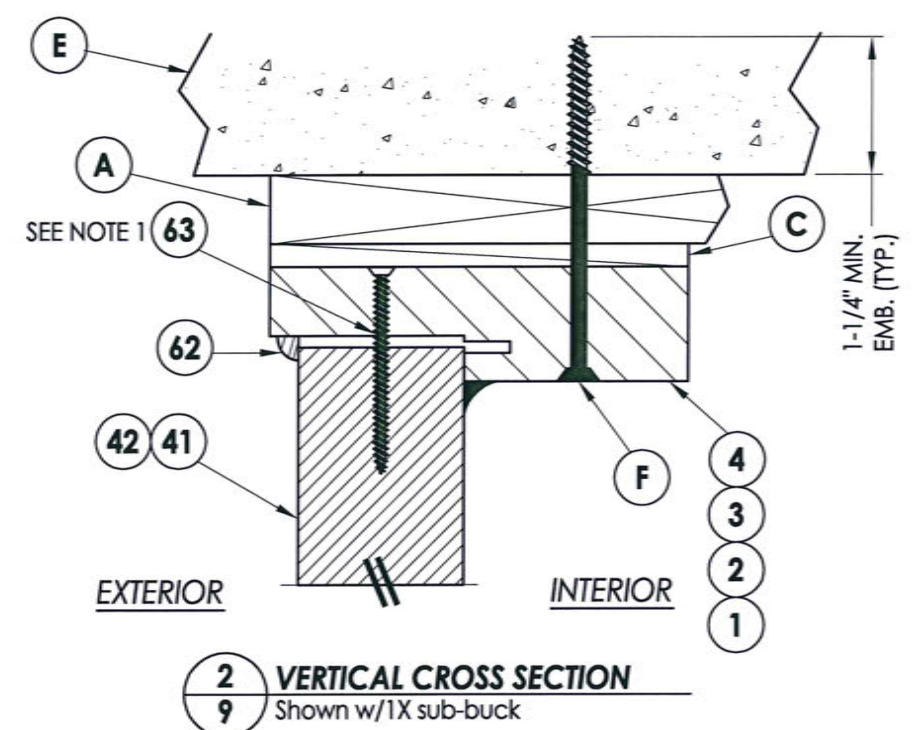
PRODUCT: TRINITY GLASS INT'L		PART OR ASSEMBLY: VERTICAL CROSS SECTIONS	
NO.	DATE	BY	REVISIONS
3	03/02/15	JK	UPDATE TO 5TH ED. (2014) FBC
2	12/16/14	LFS	ADDED PVC JAMB/LOCK HRDWR
1	3/27/12	LFS	ADDED GLAZING DETAIL
DATE: 1/18/12		SCALE: N.T.S.	
DWG. BY: JK		CHK. BY: LFS	
DRAWING NO.: FL-15129.6		SHEET 8 OF 13	



R:\Clients\Trinity Permanent\Florida Product Approvals\FL-15129\Drawings\Current\FL-15129-5-8.dwg, 9.6



NOTE:  
1. Screws thru head and sill jamb located 3\"/>



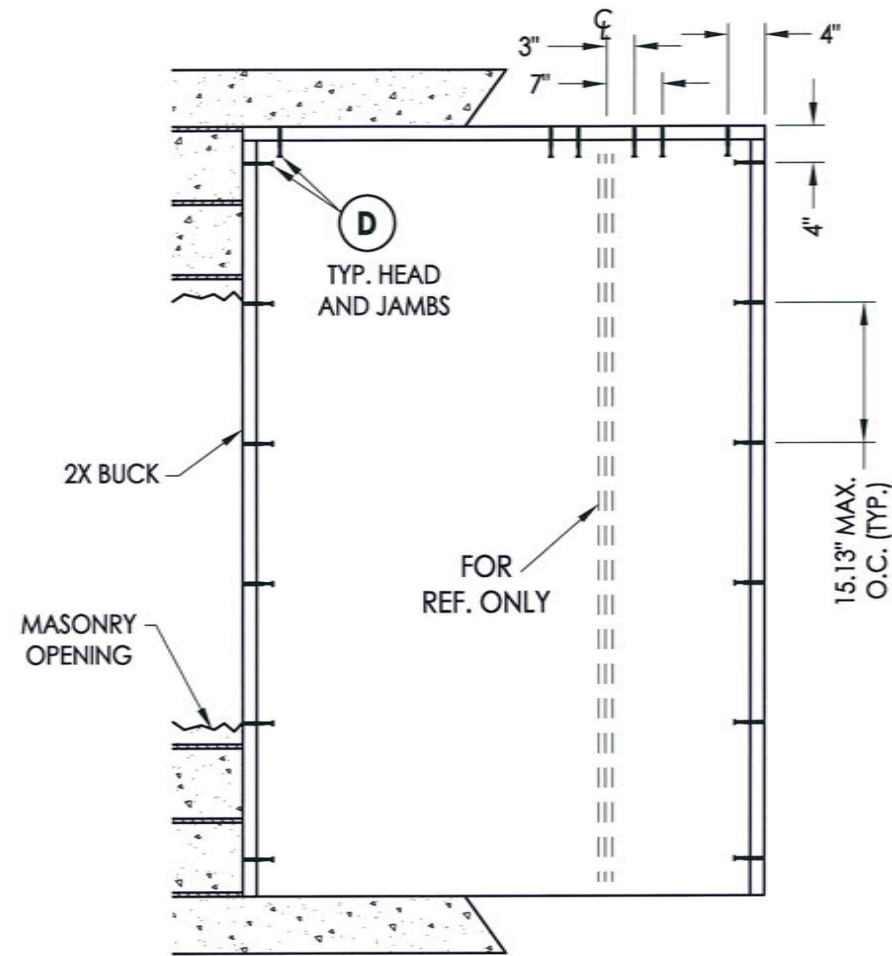
Documents Prepared By:  
Lyndon F. Schmidt  
P.E. No. 43409  
R.W. BUILDING CONSULTANTS, INC.  
P.O. Box 230, Valrico, FL 33595  
Phone No.: 813.659.9197  
FBPE C.A. No. 9813

PRODUCT: TRINITY GLASS INT'L  
PART OR ASSEMBLY: VERTICAL CROSS SECTIONS

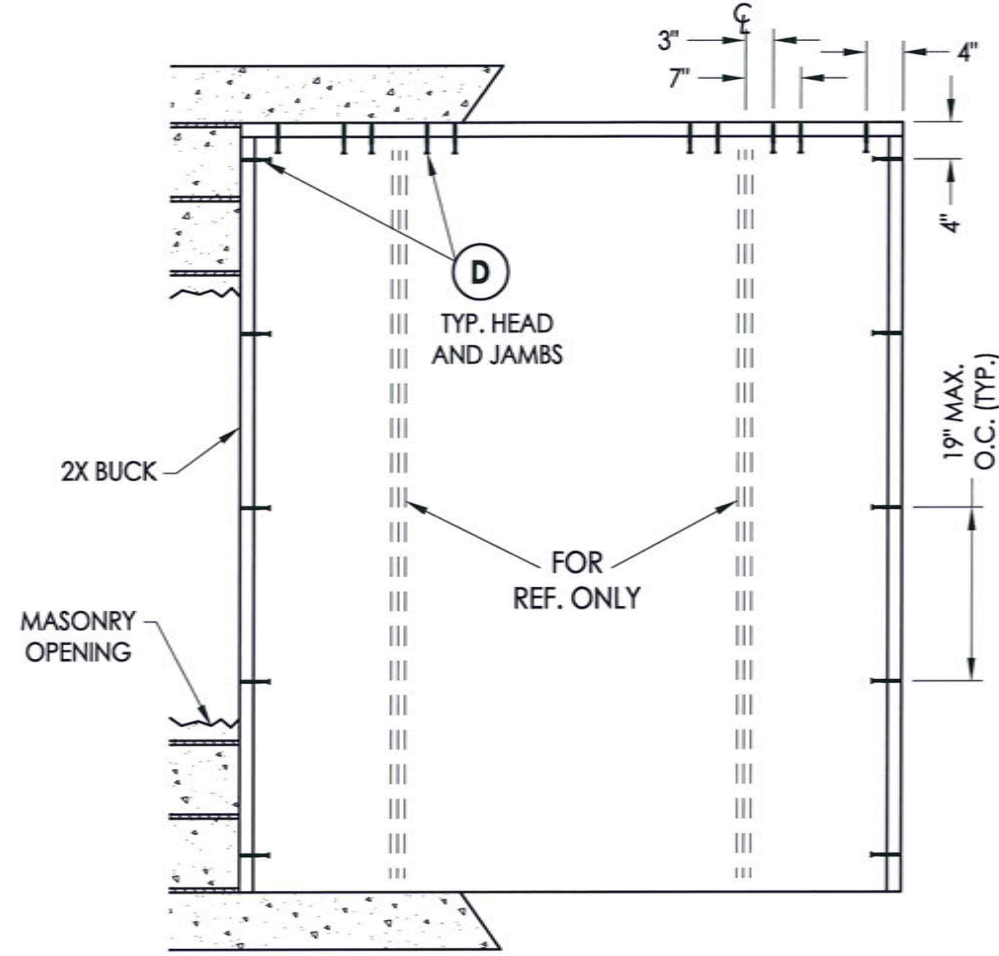
NO.	DATE	BY	REVISIONS
3	03/02/15	JK	UPDATE TO 5TH ED. (2014) FBC
2	12/16/14	LFS	ADDED PVC JAMB/LOCK HRDWR
1	3/27/12	LFS	ADDED GLAZING DETAIL

DATE: 1/18/12  
SCALE: N.T.S.  
DWG. BY: JK  
CHK. BY: LFS  
DRAWING NO.: FL-15129.6  
SHEET 9 OF 13





**BUCK ANCHORING**



**BUCK ANCHORING**

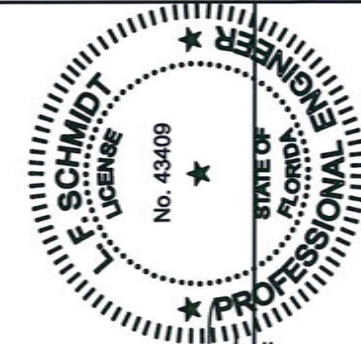
**CONCRETE ANCHOR NOTES:**

1. Concrete anchor locations at the corners may be adjusted to maintain the min. edge distance to mortar joints.
2. Concrete anchor locations noted as "MAX. ON CENTER" must be adjusted to maintain the min. edge distance to mortar joints, additional concrete anchors may be required to ensure the "MAX. ON CENTER" dimension are not exceeded.
3. Concrete anchor table:

ANCHOR TYPE	ANCHOR SIZE	MIN. EMBEDMENT	MIN. CLEARANCE TO MASONRY EDGE	MIN. CLEARANCE TO ADJACENT ANCHOR
ITW BUILDEX TAPCON®	1/4"	1-1/4"	2"	4"
ELCO ULTRACON®	1/4"	1-1/4"	1"	4"

**WOOD SCREW INSTALLATION NOTES:**

1. Maintain a minimum 5/8" edge distance, 1" end distance, & 1" o.c. spacing of wood screws to prevent the splitting of wood.



Documents Prepared By:  
Lyndon F. Schmidt  
P.E. No. 43409

**R.W.**  
BUILDING CONSULTANTS, INC.  
P.O. Box 230, Valrico, FL 33595  
Phone No.: 813.659.9197  
FBPE C.A. No. 9813

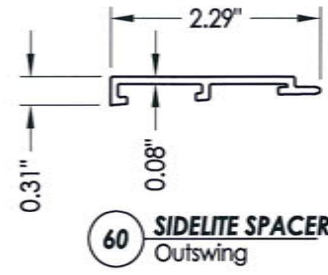
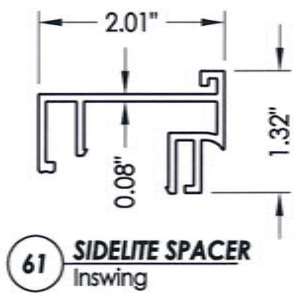
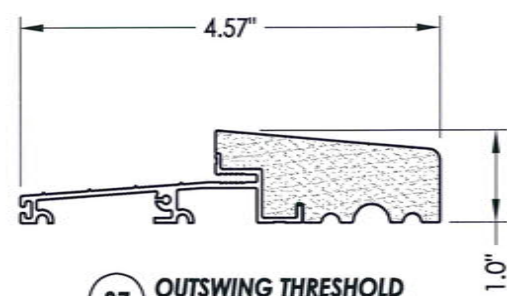
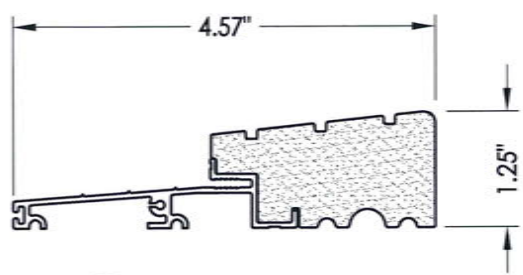
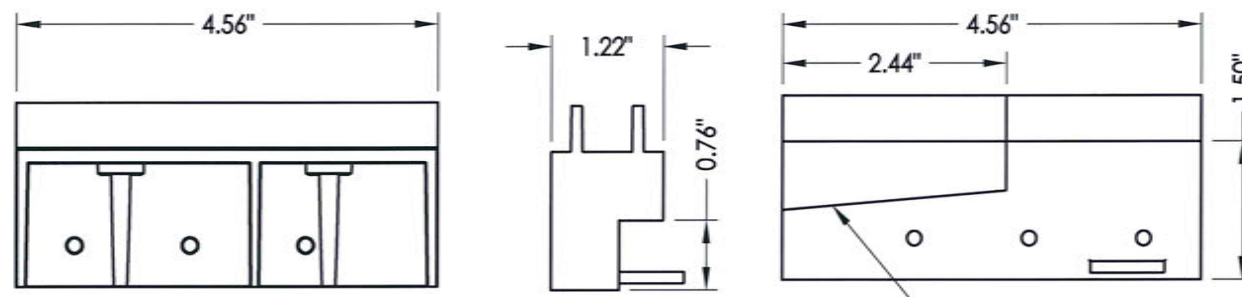
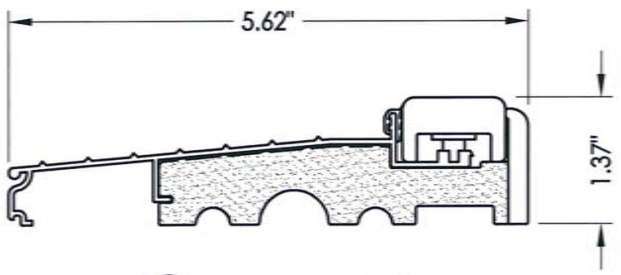
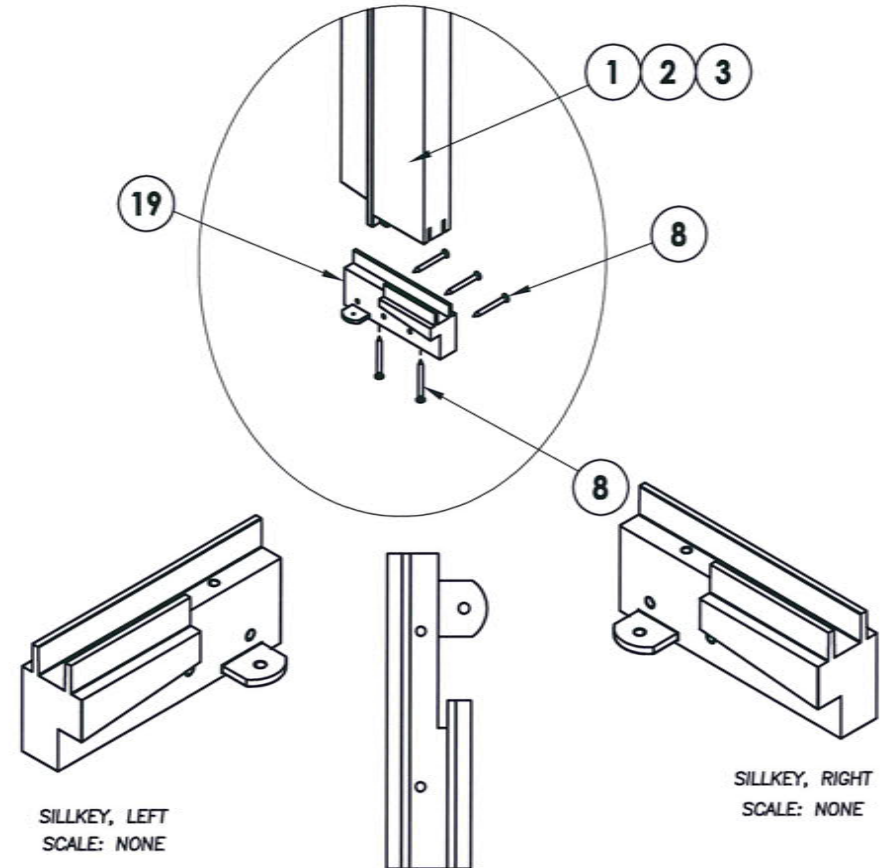
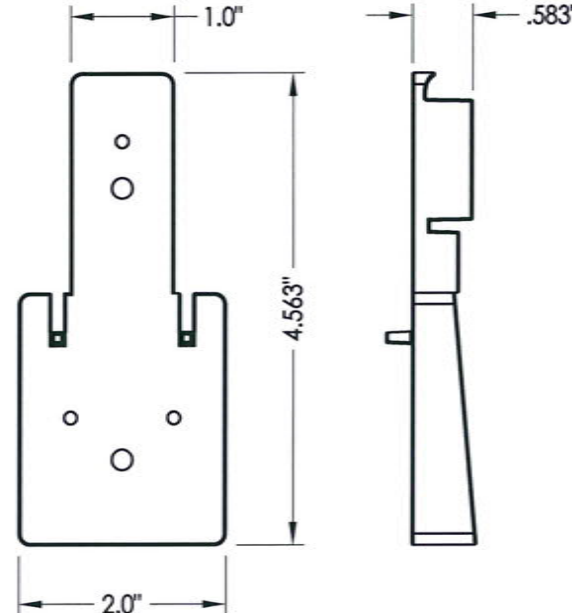
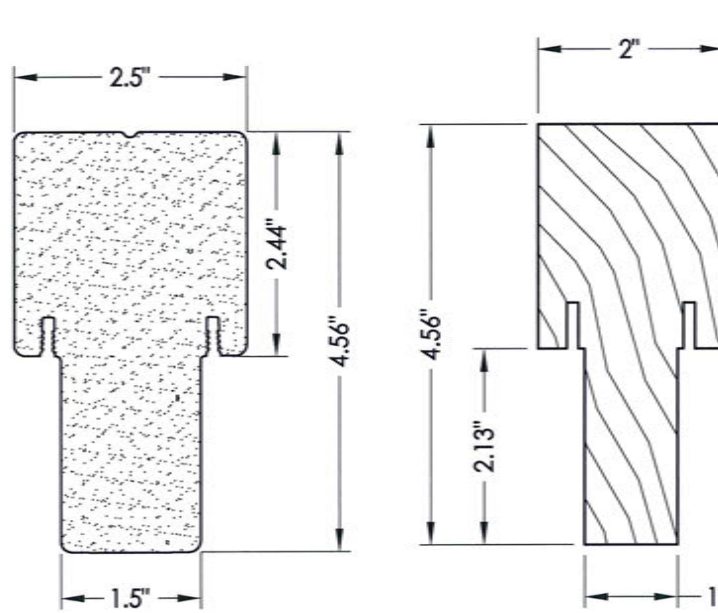
PRODUCT:	TRINITY GLASS INT'L
PART OR ASSEMBLY:	BUCK ANCHORING
DATE:	1/18/12
SCALE:	N.T.S.
DWG. BY:	JK
CHK. BY:	LFS
DRAWING NO.:	FL-15129.6
SHEET	10 OF 13







R:\Clients\Trinity PERMANENT\Florida Product Approvals\FL-15129\Drawings\Current\FL-15129-5-8.dwg, 12.6



Documents Prepared By:  
Lyndon F. Schmidt  
P.E. No. 43409

RW BUILDING CONSULTANTS, INC.  
P.O. Box 230, Valrico, FL 33595  
Phone No.: 813.659.9197  
FBPE C.A. No. 9813

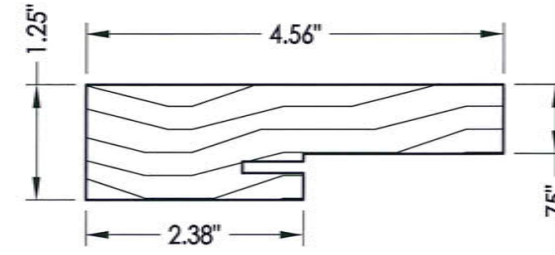
PRODUCT:	TRINITY GLASS INT'L
PART OR ASSEMBLY:	COMPONENTS

NO.	DATE	REVISIONS
3	03/02/15	UPDATE TO 5TH ED. (2014) FBC
2	12/16/14	ADDED PVC JAMB/LOCK HRDWR
1	3/27/12	ADDED GLAZING DETAIL
JK		
LFS		
BY		

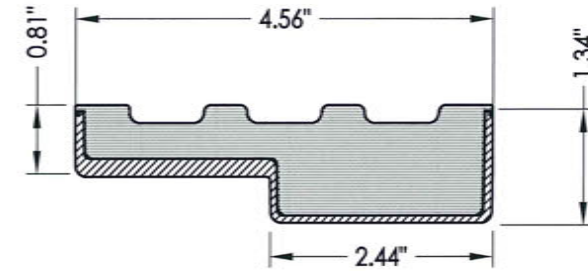
DATE:	1/18/12
SCALE:	N.T.S.
DWG. BY:	JK
CHK. BY:	LFS
DRAWING NO.:	FL-15129.6
SHEET	12 OF 13



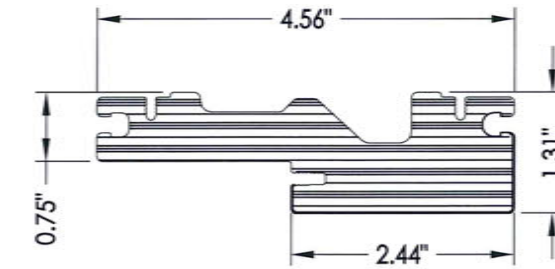
BILL OF MATERIALS		
ITEM #	DESCRIPTION	MATERIAL
A	1X BUCK SG >= 0.55	WOOD
B	2X BUCK SG >= 0.55	WOOD
C	1/4" MAX. SHIM SPACE	-
D	1/4" X 2-3/4" PFH ELCO OR ITW CONCRETE SCREW	STEEL
E	MASONRY - 3,000 PSI MIN. CONCRETE CONFORMING TO ACI 301 OR HOLLOW BLOCK CONFORMING TO ASTM C90	CONCRETE
F	1/4" X 3-3/4" PFH ITW CONCRETE SCREW	STEEL
H	3/16" X 3-1/4" PFH ITW CONCRETE SCREW	STEEL
J	#9 X 2-1/4" PFH WS	STEEL
L	#8 X 2-1/2" PFH WS	STEEL
P	1/4" X 2-3/4" PFH ELCO OR ITW CONCRETE SCREW	STEEL
1	HEAD & JAMB (FINGER-JOINT PINE - SG >= 0.42)	WOOD
2	HEAD & JAMB	FIBERGLASS/COMP
3	HEAD & JAMB	PVC
4	HEAD & JAMB	PVC
5	INSWING THRESHOLD ALUMINUM W/ COMPOSITE SUBSTRATE	ALUMINUM
6	DOOR BOTTOM SWEEP	PVC
8	#6 X 1-1/4 PFH DRYWALL SCREW	STEEL
9	#9 X 2-1/4" PFH SMS	STEEL
12	WEATHERSTRIP QEBD650 Q-LON	-
18	3.983" X 4.0" HINGE MIN 0.098" THICK	STEEL
19	SILLKEY	PC/ASA
22	DEADBOLT STRIKE PLATE	STEEL
23	LATCH STRIKE PLATE	STEEL
24	#9 X 5/8" PFH WS	STEEL
25	OUTSWING HIGH-DAM THRESHOLD ALUMINUM W/ COMPOSITE SUBSTRATE	ALUM./ COMP.
26	#9 X 1.0" PFH WS	STEEL
27	OUTSWING THRESHOLD ALUMINUM W/ COMPOSITE SUBSTRATE	ALUM./ COMP.
40	DOOR PANEL - SEE DOOR PANEL DETAIL SHEET FOR CONSTRUCTION DETAILS	-
41	SIDELITE PANEL - SEE SIDELITE PANEL DETAIL SHEET FOR CONSTRUCTION DETAILS	-
42	SIDELITE PANEL - SEE SIDELITE PANEL DETAIL SHEET FOR CONSTRUCTION DETAILS	-
60	SIDELITE SPACER - OUTSWING	PVC
61	SIDELITE SPACER - INSWING	PVC
62	QUARTER ROUND	WOOD
63	#8 X 2-1/4" PFH WOOD SCREW	STEEL
64	#8 X 2" PFH WOOD SCREW	STEEL
66	INTEGRAL MULLION - PVC	PVC
67	INTEGRAL MULLION - FINGER JOINT PINE (SG >= 0.42)	WOOD
69	MULLION BASE KIT	PC/ASA



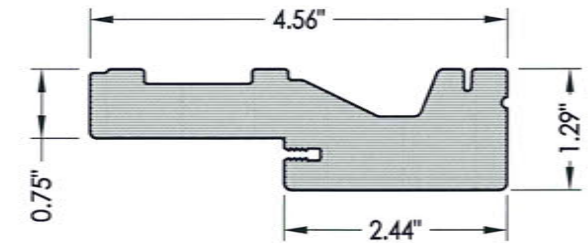
1 HEAD AND JAMBS  
Wood



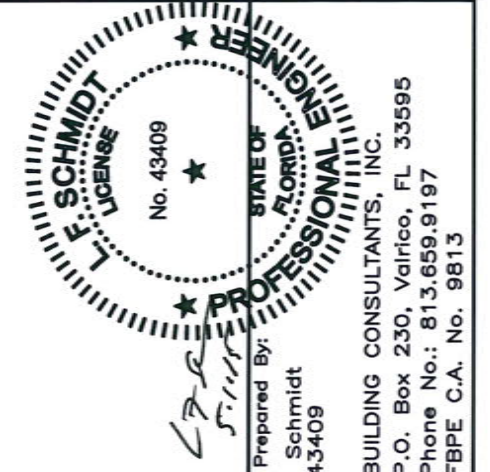
2 HEAD AND JAMBS  
Composite PVC Base w/ Fiberglass Wrap



3 HEAD AND JAMBS  
PVC



4 HEAD AND JAMBS  
PVC



Documents Prepared By:  
Lyndon F. Schmidt  
P.E. No. 43409

R.W. BUILDING CONSULTANTS, INC.  
P.O. Box 230, Valrico, FL 33595  
Phone No.: 813.659.9197  
FBPE C.A. No. 9813

PRODUCT:	TRINITY GLASS INT'L	
PART OR ASSEMBLY:	BILL OF MATERIALS & COMPONENTS	
NO.	DATE	BY
3	03/02/15	JK
2	12/16/14	LFS
1	3/27/12	LFS
REVISIONS		
DATE:	1/18/12	
SCALE:	N.T.S.	
DWG. BY:	JK	
CHK. BY:	LFS	
DRAWING NO.:	FL-15129.6	
SHEET	13 OF 13	